



# T&S BRASS AND BRONZE WORKS, INC.

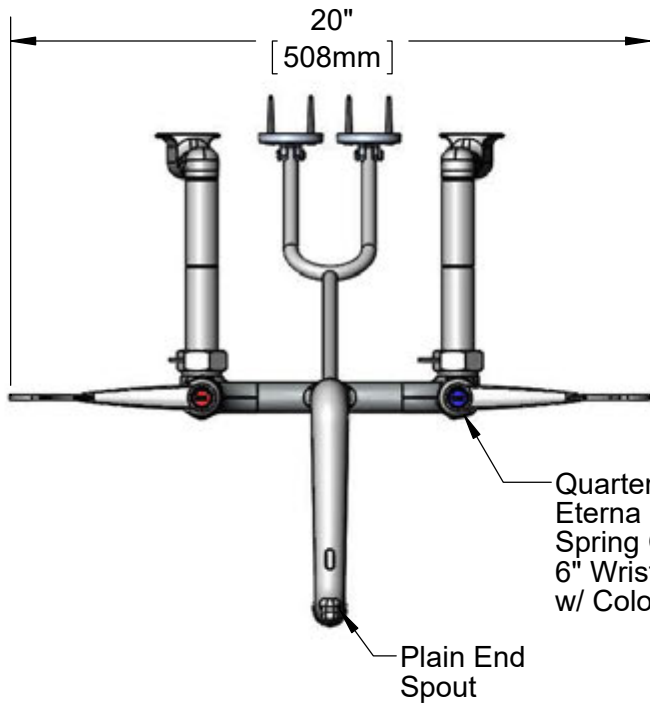
2 Saddleback Cove / P.O. Box 1088  
Travelers Rest, SC 29690

Model No.

**B-0650-02**

Item No.

Travelers Rest, SC: 800-476-4103 • Simi Valley, CA: 800-423-0150 • Fax: 864-834-3518 • www.tsbrass.com



This Space for Architect/Engineer Approval

Job Name \_\_\_\_\_ Date \_\_\_\_\_

Model Specified \_\_\_\_\_ Quantity \_\_\_\_\_

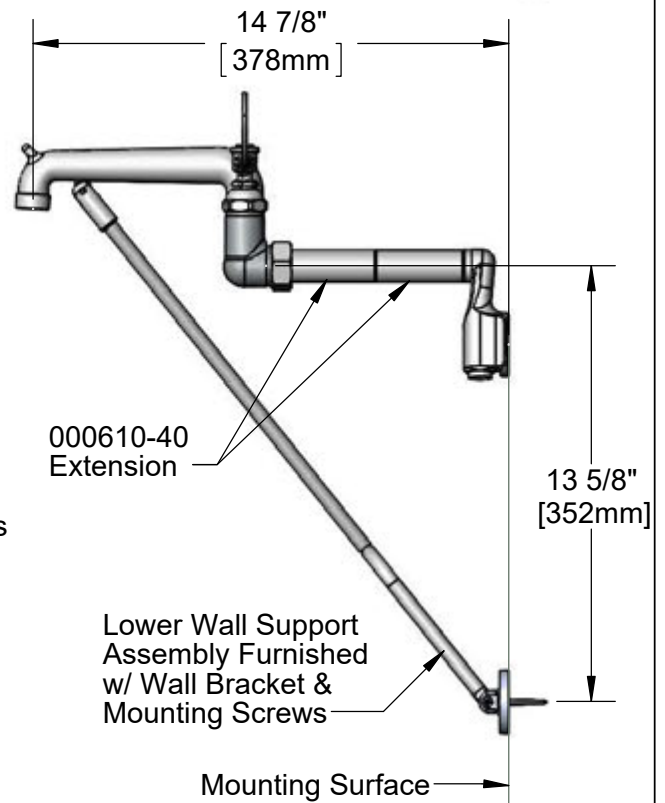
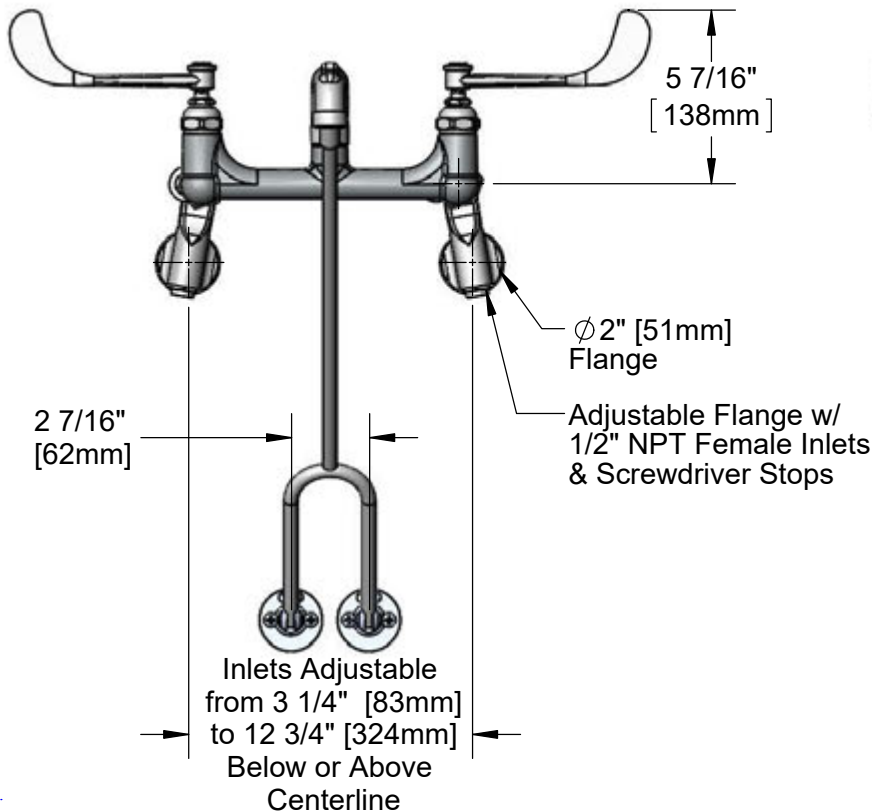
Customer/Wholesaler \_\_\_\_\_

Contractor \_\_\_\_\_

Architect/Engineer \_\_\_\_\_



**ADA Compliant**



**Product Specifications:**

Adjustable Wall Mount, Service Sink Faucet, Quarter-Turn Eterna Cartridges, Polished Chrome Finish, 6" Wrist Action Handles, Extended Lower Support Rod, 1/2" NPT Extended Adjustable Inlets & Plain End Outlet

**Product Compliance:**

ASME A112.18.1 / CSA B125.1  
NSF 61 - Section 9  
NSF 372 (Low Lead Content)  
ANSI A117.1 (ADA)



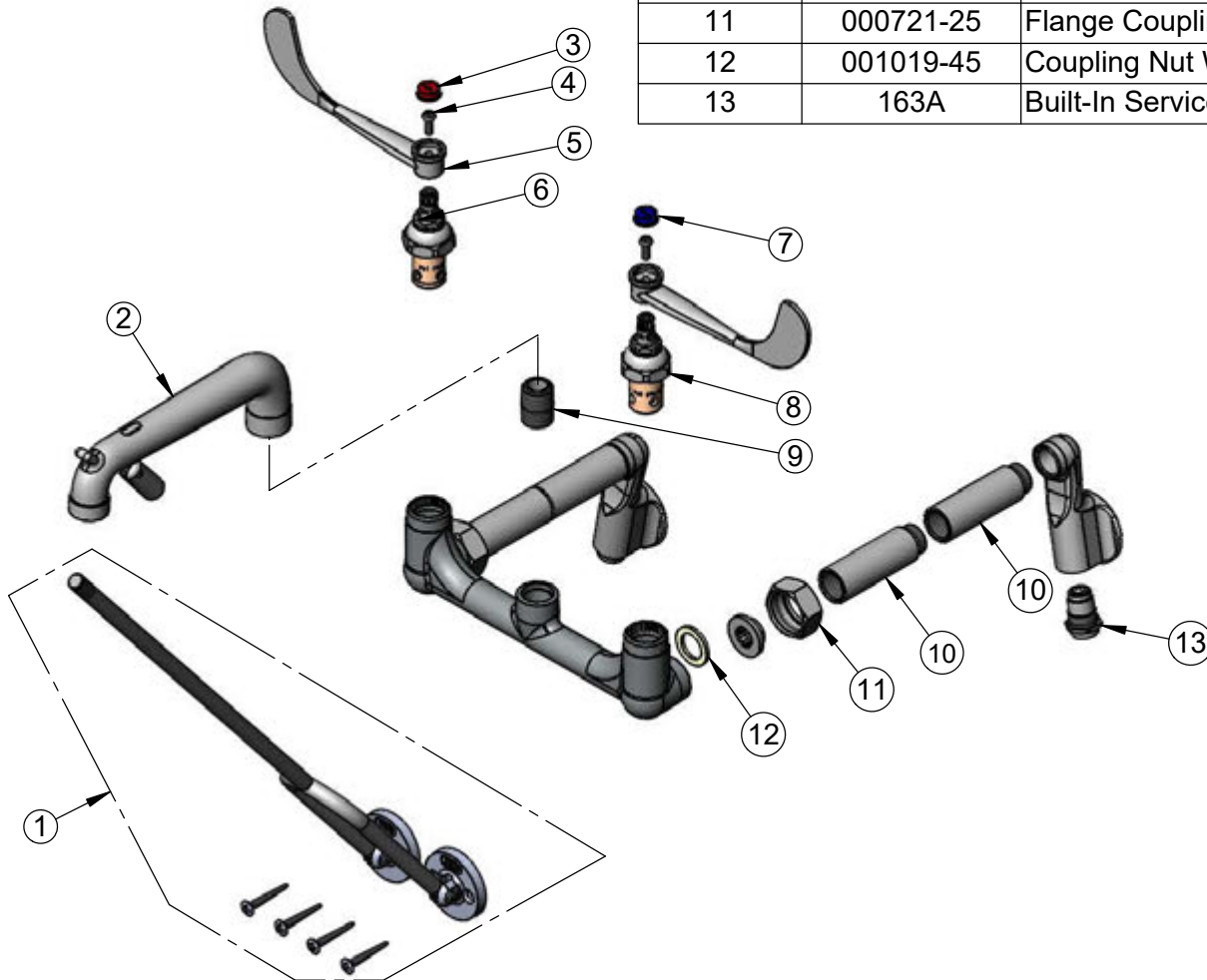
**T&S BRASS AND BRONZE WORKS, INC.**  
 2 Saddleback Cove / P.O. Box 1088  
 Travelers Rest, SC 29690

Model No.  
**B-0650-02**

Item No.

Travelers Rest, SC: 800-476-4103 • Simi Valley, CA: 800-423-0150 • Fax: 864-834-3518 • www.tsbrass.com

ITEM NO.	SALES NO.	DESCRIPTION
1	015476-40	Lower Support Rod Assembly w/ Mounting Screws
2	016844-40	Spout, B-0650 Chrome Polished
3	001194-45	Red Index - HW
4	000925-45	Lab Handle Screw </td
5	B-WH6	6" Wrist Action Handle
6	012443-40	Quarter-Turn Eterna Cartridge, RTC w/ Spring Check
7	001686-45	Blue Index - CW
8	012442-40	Quarter-Turn Eterna Cartridge, LTC w/ Spring Check
9	002534-25	Close Nipple, 1/2" NPT
10	000610-25	Extension, 2 3/4" Long
11	000721-25	Flange Coupling Nut
12	001019-45	Coupling Nut Washer
13	163A	Built-In Service Stop



**Product Specifications:**

Adjustable Wall Mount, Service Sink Faucet, Quarter-Turn Eterna Cartridges, Polished Chrome Finish, 6" Wrist Action Handles, Extended Lower Support Rod, 1/2" NPT Extended Adjustable Inlets & Plain End Outlet

**Product Compliance:**

ASME A112.18.1 / CSA B125.1  
 NSF 61 - Section 9  
 NSF 372 (Low Lead Content)  
 ANSI A117.1 (ADA)