



# T&S BRASS AND BRONZE WORKS, INC.

2 Saddleback Cove / P.O. Box 1088  
Travelers Rest, SC 29690

Model No.

**B-0695-ST**

Item No.

Travelers Rest, SC: 800-476-4103 • Simi Valley, CA: 800-423-0150 • Fax: 864-834-3518 • www.tsbrass.com



**ADA Compliant**

This Space for Architect/Engineer Approval

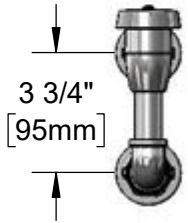
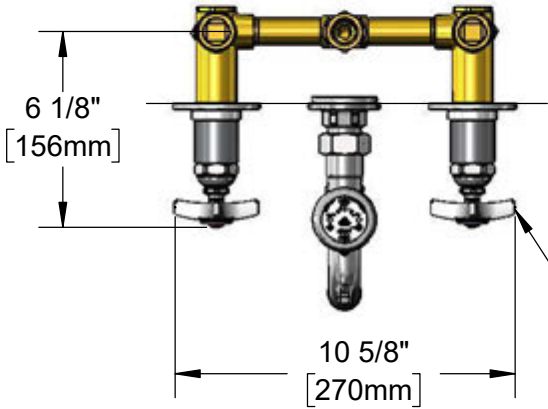
Job Name \_\_\_\_\_ Date \_\_\_\_\_

Model Specified \_\_\_\_\_ Quantity \_\_\_\_\_

Customer/Wholesaler \_\_\_\_\_

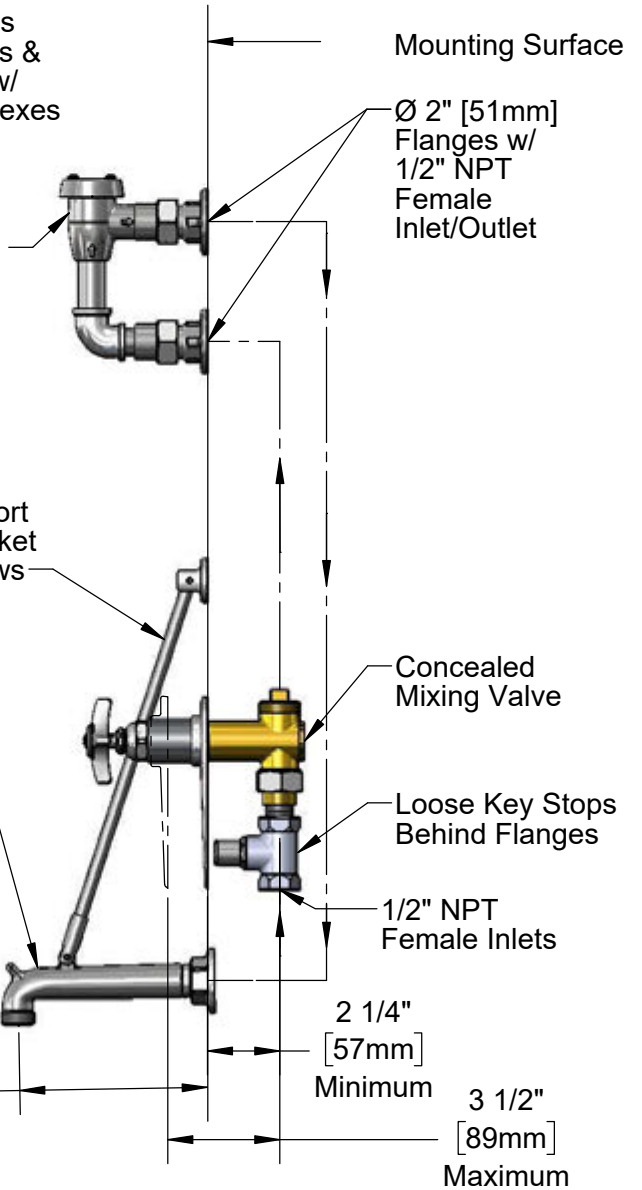
Contractor \_\_\_\_\_

Architect/Engineer \_\_\_\_\_

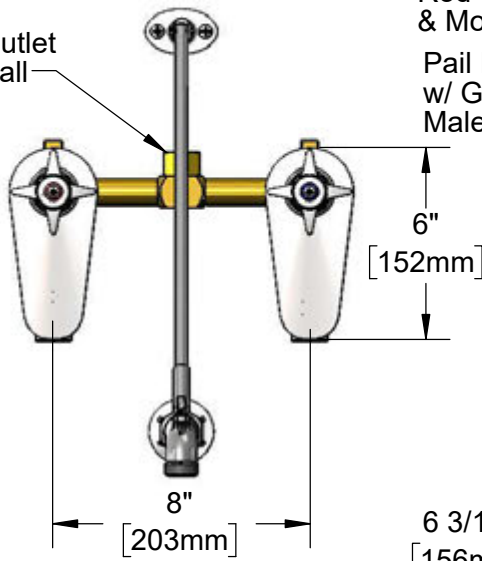


Quarter-Turn Eterna Cartridges w/ Spring Checks & 4-Arm Handles w/ Color Coded Indexes

B-0969 1/2" NPT Vacuum Breaker



1/2" NPT Female Outlet Behind Wall



Upper Wall Support Rod w/ Wall Bracket & Mounting Screws

Pail Hook Spout w/ Garden Hose Male Outlet

6 3/16" [156mm]

**Rough-In Requirement:**  
(2) Ø 1 1/2" [38mm] Mounting Holes for Concealed Mixing Valve

**Product Specifications:**

8" Wall Mount Concealed Mixing Valve, Quarter-Turn Eterna Cartridges w/ Spring Checks, 4-Arm Handles, Loose Key Stops, Elevated Vacuum Breaker, Spout w/ Garden Hose Male Outlet & Upper Support Rod & 1/2" Female Inlets/Outlets

**Product Compliance:**

ASME A112.18.1 / CSA B125.1  
NSF 61 - Section 9  
NSF 372 (Low Lead Content)  
ANSI A117.1 (ADA)  
ASSE 1001 (VB)



# T&S BRASS AND BRONZE WORKS, INC.

2 Saddleback Cove / P.O. Box 1088  
Travelers Rest, SC 29690

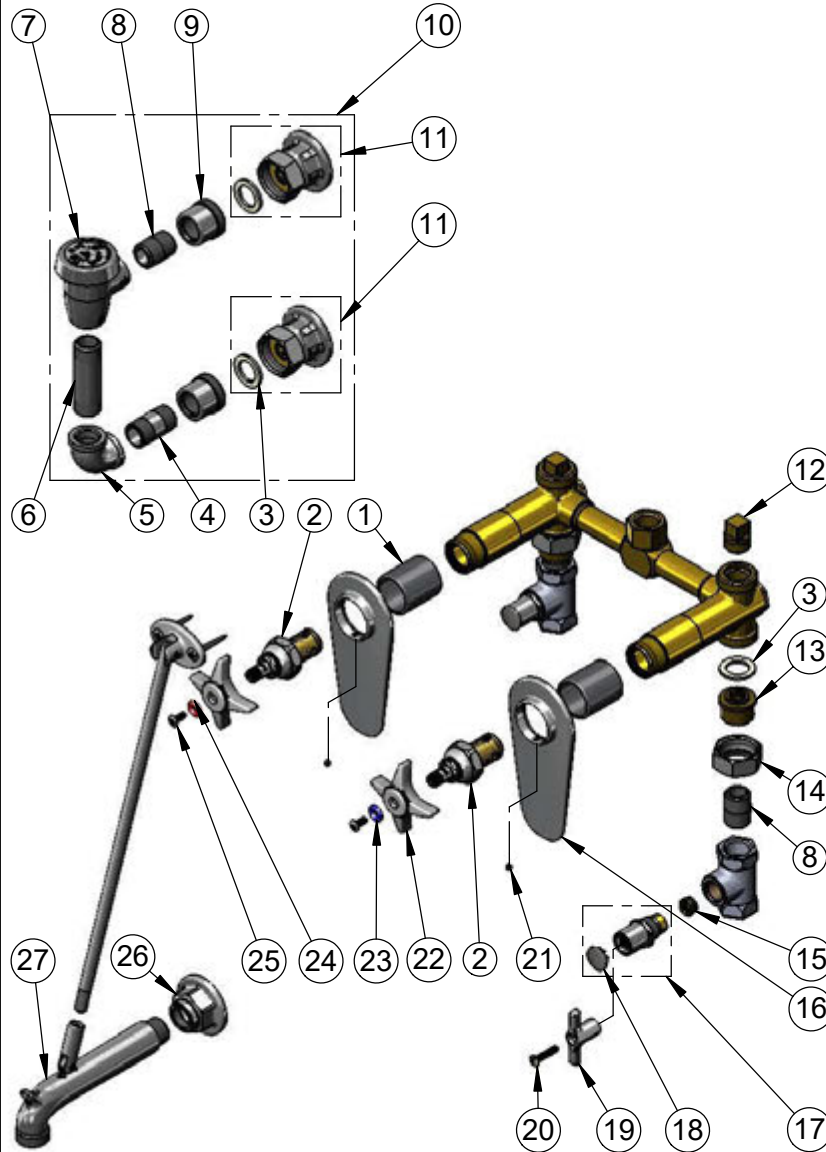
Model No.

**B-0695-ST**

Item No.

Travelers Rest, SC: 800-476-4103 • Simi Valley, CA: 800-423-0150 • Fax: 864-834-3518 • www.tsbrass.com

ITEM NO.	SALES NO.	DESCRIPTION
1	151F	Escutcheon Tube
2	012443-40NS	Quarter-Turn Eterna Cartridge w/ Spring Check, RTC
3	001019-45	Coupling Nut Washer
4	001509-40	Nipple, 1/2" NPT x 1 1/2"
5	001357-40	1/2" NPT Elbow
6	001510-40	Nipple, 1/2" NPT x 2 5/8"
7	B-0969	1/2" NPT Vacuum Breaker
8	002534-25	Close Nipple, 1/2" NPT
9	000870-40	Union, Male Half
10	B-0929-A	1/2" NPT Atmospheric Vacuum Breaker
11	00AA	1/2" NPT Eccentric Female Flange
12	001347-20	1/2" NPT Plug
13	153F	Union Half, 1/2 NPT w/ Washer
14	000721-25	Flange Coupling Nut
15	000763-20	Seat
16	002820-40	Tear-Drop Escutcheon
17	002892-40	Stop Spindle w/ Cap
18	001605-45	Cap
19	001802-45	Handle, Supply Stop Tee
20	002432-45	Screw, Tee Handle
21	000939-45	Escutcheon, Set Screw
22	002521-45	4-Arm Handle
23	001660-45	Blue Index-CW
24	001661-45	Red Index-HW
25	000922-45	Lever Handle Screw
26	000013-40	Flange, 1/2" NPT Wall Mount
27	009545-40	Spout w/ Male GH Outlet & Upper Clevis - Polished Chrome
74	009546-40	Suprt Rod B-0665 - Polish Chrome
75		Flange, Wall Support
76		Roll Pin, Support Bracket
77	000915-45	Mounting Screw



**Product Specifications:**  
8" Wall Mount Concealed Mixing Valve, Quarter-Turn Eterna Cartridges w/ Spring Checks, 4-Arm Handles, Loose Key Stops, Elevated Vacuum Breaker, Spout w/ Garden Hose Male Outlet & Upper Support Rod & 1/2" Female Inlets/Outlets

**Product Compliance:**  
ASME A112.18.1 / CSA B125.1  
NSF 61 - Section 9  
NSF 372 (Low Lead Content)  
ANSI A117.1 (ADA)  
ASSE 1001 (VB)