



T&S BRASS AND BRONZE WORKS, INC.

2 Saddleback Cove / P.O. Box 1088
Travelers Rest, SC 29690

Model No.

B-0674-BSTR

Item No.

Travelers Rest, SC: 800-476-4103 • Simi Valley, CA: 800-423-0150 • Fax: 864-834-3518 • www.tsbrass.com



ADA Compliant

This Space for Architect/Engineer Approval

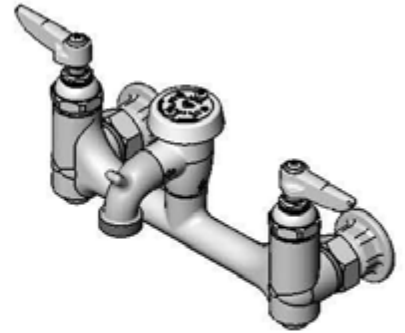
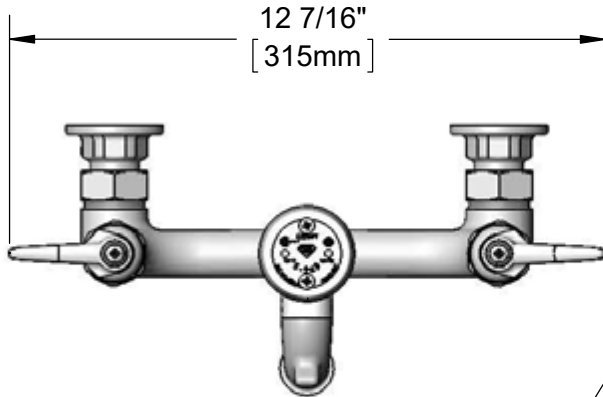
Job Name _____ Date _____

Model Specified _____ Quantity _____

Customer/Wholesaler _____

Contractor _____

Architect/Engineer _____



B-0969
1/2" NPT Vacuum
Breaker

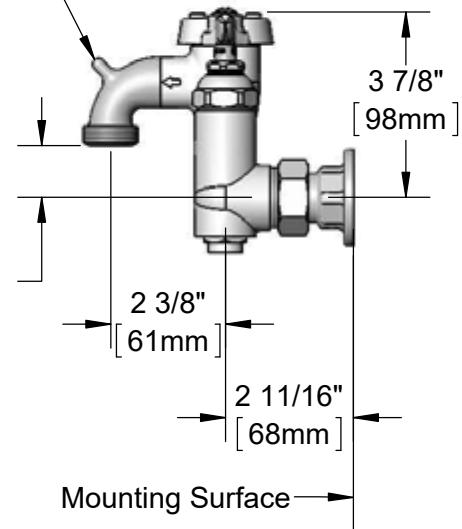
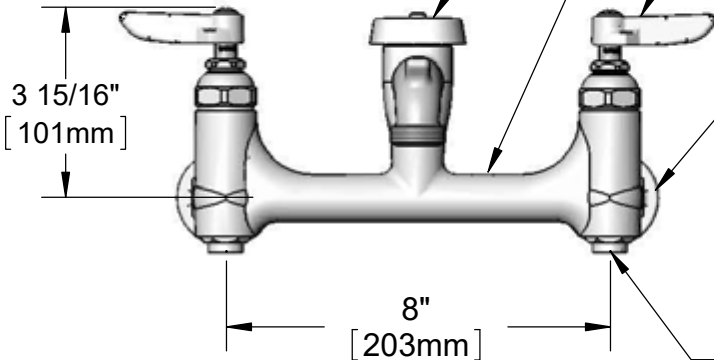
Rough Chrome
Finish on Faucet
Body & Spout

Pail Hook Spout
w/ Garden Hose
Male Outlet

Eterna Cartridges w/
Spring Checks &
Lever Handles w/
Color Coded Indexes

Ø 2" [51mm]
Flanges w/
1/2" NPT
Female Inlets

Built-In Service
Stops



Adjustable From
7 3/4" to 8 1/4"
[197mm to 210mm]

Product Specifications:

8" Wall Mount Service Sink Faucet, Eterna Cartridges w/ Spring Checks, Lever Handles, Pail Hook Spout w/ Garden Hose Male Outlet, Rough Chrome Finish & 1/2" NPT Female Inlets

Product Compliance:

ASME A112.18.1 / CSA B125.1
NSF 61 Exempt (Non-Potable)
ANSI A117.1 (ADA)
ASSE 1001 (VB)



T&S BRASS AND BRONZE WORKS, INC.

2 Saddleback Cove / P.O. Box 1088
Travelers Rest, SC 29690

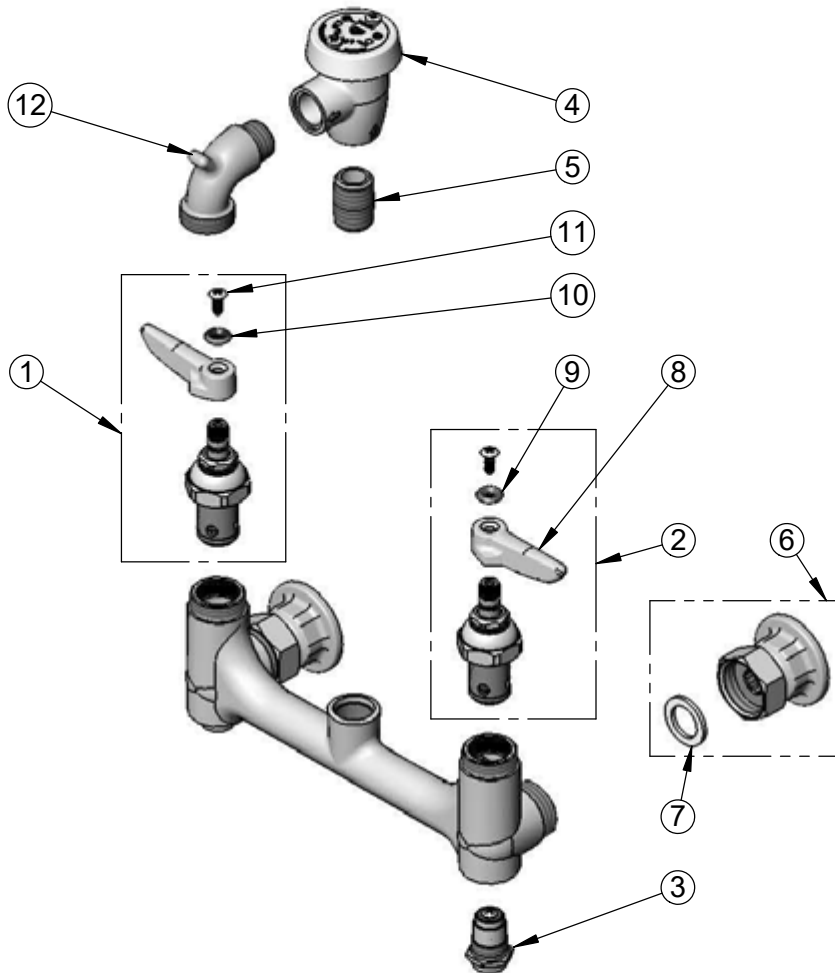
Model No.

B-0674-BSTR

Item No.

Travelers Rest, SC: 800-476-4103 • Simi Valley, CA: 800-423-0150 • Fax: 864-834-3518 • www.tsbrass.com

ITEM NO.	SALES NO.	DESCRIPTION
1	002712-40	Eterna Cartridge, RTC w/ Spring Check, Handle, Index & Screw
2	002711-40	Eterna Cartridge, LTC w/ Spring Check, Handle, Index & Screw
3	163A	Built-in Service Stop
4	B-0969	1/2" NPT Vacuum Breaker
5	002534-25	Close Nipple, 1/2" NPT
6	00AA	1/2" NPT Female Eccentric Flange
7	001019-45	Coupling Nut Washer
8	001638-45	Lever Handle
9	001660-45	Blue Index-CW
10	001661-45	Red Index-HW
11	000922-45	Lever Handle Screw
12	000270-25	Spout w/ Garden Hose Male Outlet



Product Specifications:

8" Wall Mount Service Sink Faucet, Eterna Cartridges w/ Spring Checks, Lever Handles, Pail Hook Spout w/ Garden Hose Male Outlet, Rough Chrome Finish & 1/2" NPT Female Inlets

Product Compliance:

ASME A112.18.1 / CSA B125.1
NSF 61 Exempt (Non-Potable)
ANSI A117.1 (ADA)
ASSE 1001 (VB)