



# T&S BRASS AND BRONZE WORKS, INC.

2 Saddleback Cove / P.O. Box 1088  
Travelers Rest, SC 29690

Model No.

**B-0270**

Item No.

Travelers Rest, SC: 800-476-4103 • Simi Valley, CA: 800-423-0150 • Fax: 864-834-3518 • www.tsbrass.com



**ADA Compliant**

This Space for Architect/Engineer Approval

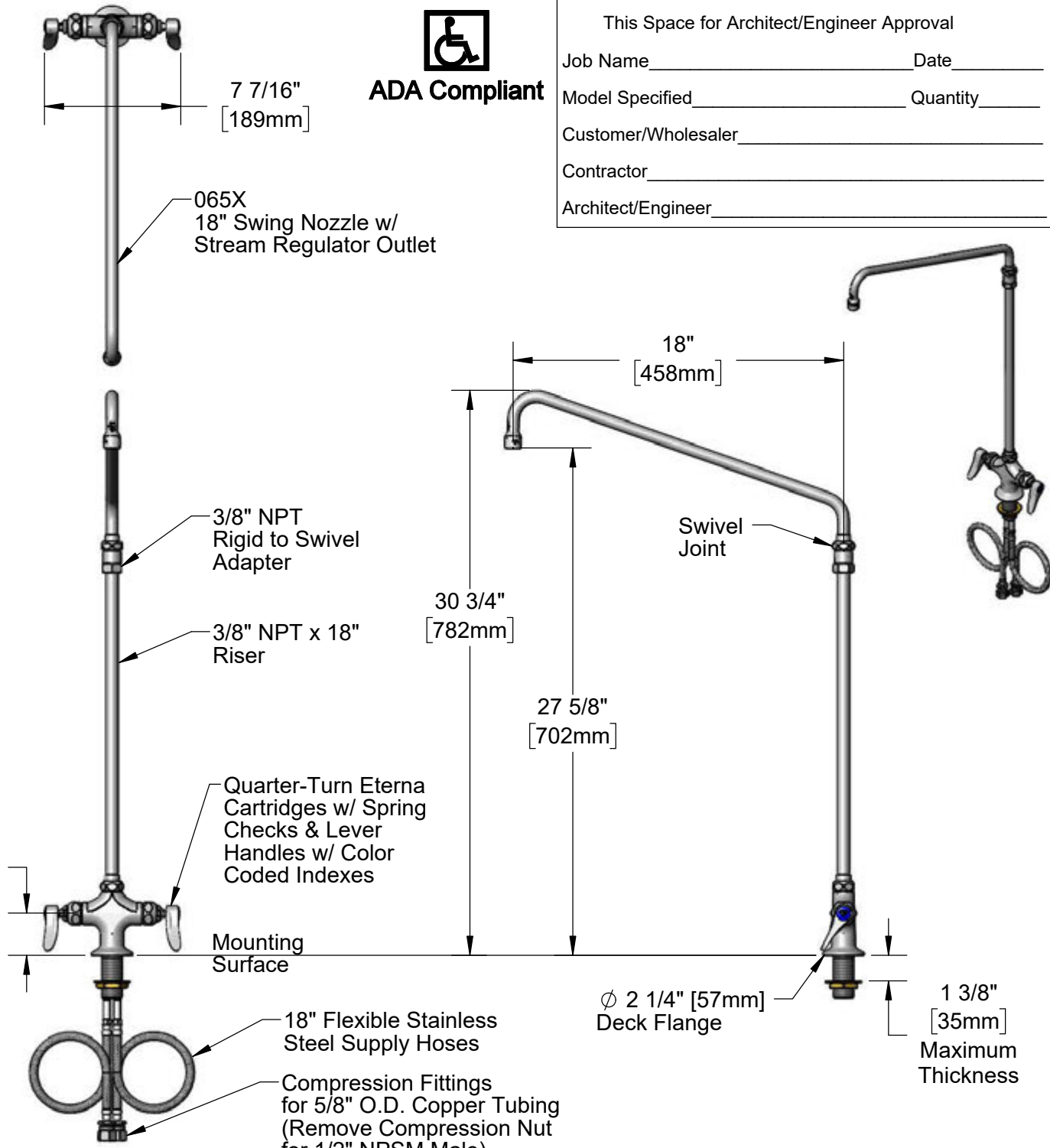
Job Name \_\_\_\_\_ Date \_\_\_\_\_

Model Specified \_\_\_\_\_ Quantity \_\_\_\_\_

Customer/Wholesaler \_\_\_\_\_

Contractor \_\_\_\_\_

Architect/Engineer \_\_\_\_\_



Rough-In Requirement:  
Ø 1 1/2" [38mm] Mounting Hole

**Product Specifications:**

Single Hole Deck Mount Mixing Faucet, Quarter-Turn Eterna Cartridges w/ Spring Checks, Lever Handles, Elevated 18" Swing Nozzle w/ Rigid to Swivel Adapter & 18" Flexible Stainless Steel Supply Hoses

**Product Compliance:**

ASME A112.18.1 / CSA B125.1  
NSF 61 - Section 9  
NSF 372 (Low Lead Content)  
ANSI A117.1 (ADA)



# T&S BRASS AND BRONZE WORKS, INC.

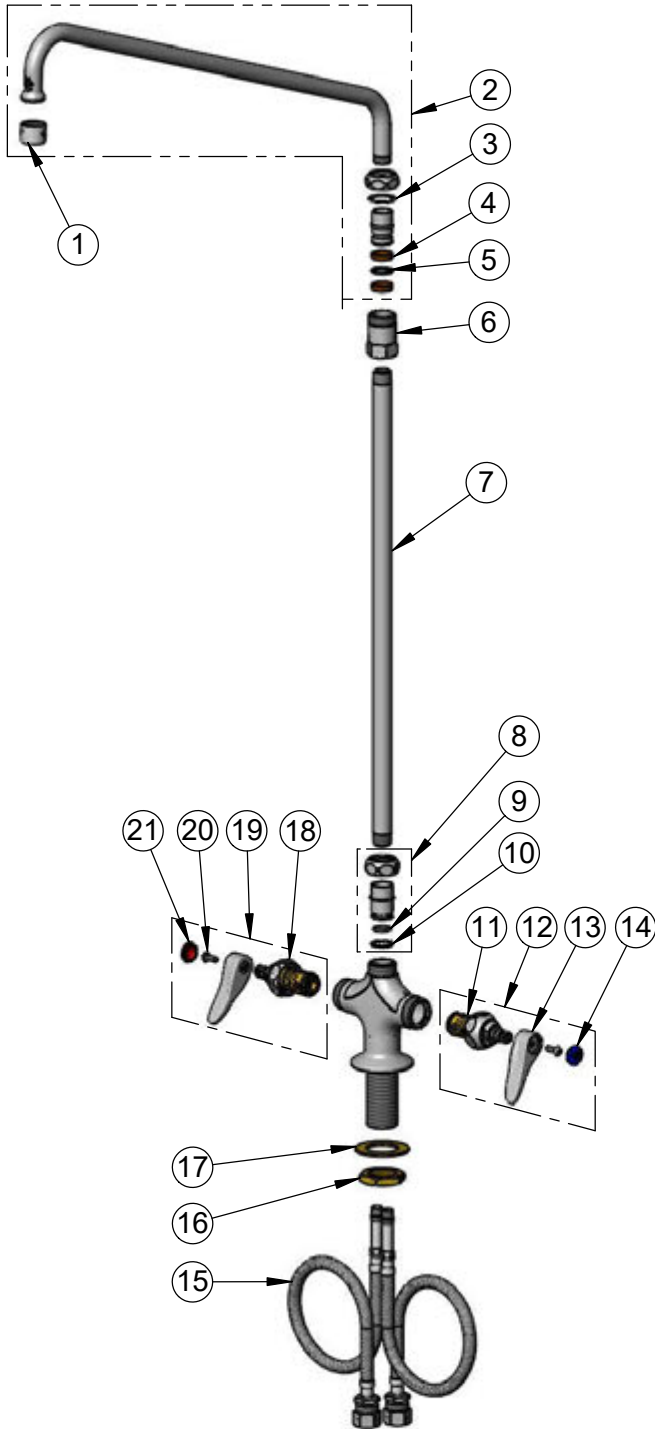
2 Saddleback Cove / P.O. Box 1088  
Travelers Rest, SC 29690

Model No.

**B-0270**

Item No.

Travelers Rest, SC: 800-476-4103 • Simi Valley, CA: 800-423-0150 • Fax: 864-834-3518 • www.tsbrass.com



| ITEM NO. | SALES NO.   | DESCRIPTION  |
|----------|-------------|--|
| 1        | B-PT        | Full Flow Stream Regulator, 55/64-27   |
| 2        | 065X        | 18" Swing Nozzle   |
| 3        | 009538-45   | Swivel Washer  |
| 4        | 011429-45   | Swivel Sleeves (2)   |
| 5        | 001074-45   | O-Ring   |
| 6        | 054X        | Swivel Body  |
| 7        | 000369-40   | 3/8" NPT x 18" Riser   |
| 8        | EZ-K        | EasyInstall Kit  |
| 9        | 001065-45   | O-Ring   |
| 10       | 014200-45   | Star Washer, Anti-Rotation   |
| 11       | 012442-40NS | Quarter-Turn Eterna Cartridge w/ Spring Check, LTC                             |
| 12       | 002711-40NS | Quarter-Turn Eterna Cartridge w/ Spring Check, Handle, Blue Index & Screw, LTC |
| 13       | 001638-45NS | Lever Handle (New Style)   |
| 14       | 018506-19NS | Blue Button Index, Press-in  |
| 15       | 012534-45   | 18" Flexible Supply Hose (2)   |
| 16       | 000965-45   | Lock Nut   |
| 17       | 002290-45   | Lock Washer  |
| 18       | 012443-40NS | Quarter-Turn Eterna Cartridge w/ Spring Check, RTC                             |
| 19       | 002712-40NS | Quarter-Turn Eterna Cartridge w/ Spring Check, Handle, Red Index & Screw, RTC  |
| 20       | 000925-45   | Lab Handle Screw   |
| 21       | 001193-19NS | Red Button Index, Press-in   |

**Product Specifications:**

Single Hole Deck Mount Mixing Faucet, Quarter-Turn Eterna Cartridges w/ Spring Checks, Lever Handles, Elevated 18" Swing Nozzle w/ Rigid to Swivel Adapter & 18" Flexible Stainless Steel Supply Hoses

**Product Compliance:**

ASME A112.18.1 / CSA B125.1  
NSF 61 - Section 9  
NSF 372 (Low Lead Content)  
ANSI A117.1 (ADA)