



T&S BRASS AND BRONZE WORKS, INC.

2 Saddleback Cove / P.O. Box 1088
Travelers Rest, SC 29690

Model No.

B-0314

Item No.

Travelers Rest, SC: 800-476-4103 • Simi Valley, CA: 800-423-0150 • Fax: 864-834-3518 • www.tsbrass.com



ADA Compliant

This Space for Architect/Engineer Approval

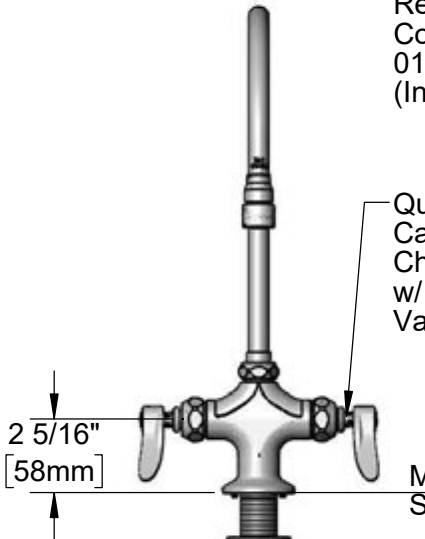
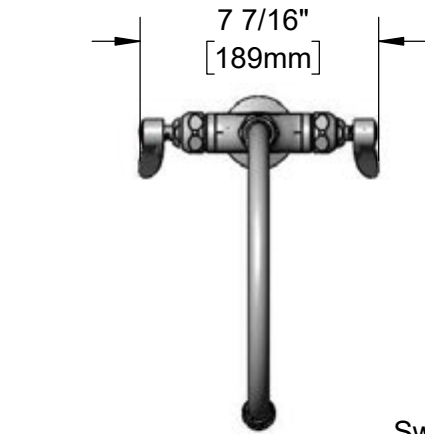
Job Name _____ Date _____

Model Specified _____ Quantity _____

Customer/Wholesaler _____

Contractor _____

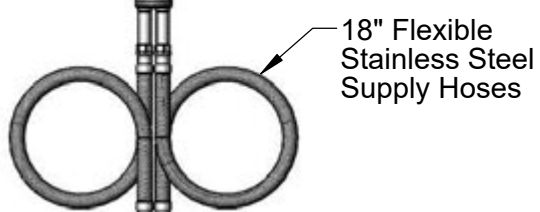
Architect/Engineer _____



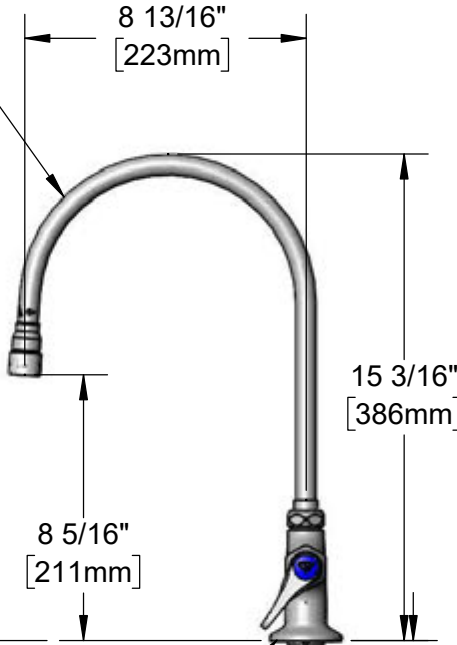
Swivel/Rigid Gooseneck w/ 2.2 GPM Vandal Resistant Aerator. Converts to Rigid w/ 014200-45 Lock Washer (Included)

Quarter-Turn Eterna Cartridges w/ Spring Checks & Lever Handles w/ Color Coded Indexes & Vandal Resistant Screws

Mounting Surface



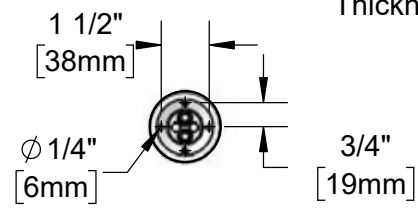
Compression Fittings for 5/8" O.D. Copper Tubing (Remove Compression Nut for 1/2" NPSM Male)



Ø 2 1/4" [57mm] Base Flange w/ (2) Anti-Rotation Screws



1 3/8" [35mm] Maximum Thickness



**Bottom View
VR Pin Hole Pattern**

Rough-In Requirement:
Ø 1 1/2" [38mm] Mounting Hole
(2) Ø 1/4" [6mm] Anti-Rotation Holes

Product Specifications:
Single Hole Deck Mount Mixing Faucet, Quarter-Turn Eterna Cartridges w/ Spring Checks, Lever Handles w/ Vandal Resistant Screws, 8 13/16" Swivel/Rigid Gooseneck w/ 2.2 GPM Vandal Resistant Aerator, 18" Flexible Stainless Steel Supply Hoses w/ 1/2" NPSM Male Inlets & Vandal Resistant Anti-Rotational Pins

Product Compliance:
ASME A112.18.1 / CSA B125.1
NSF 61 - Section 9
NSF 372 (Low Lead Content)
ANSI A117.1 (ADA)



T&S BRASS AND BRONZE WORKS, INC.

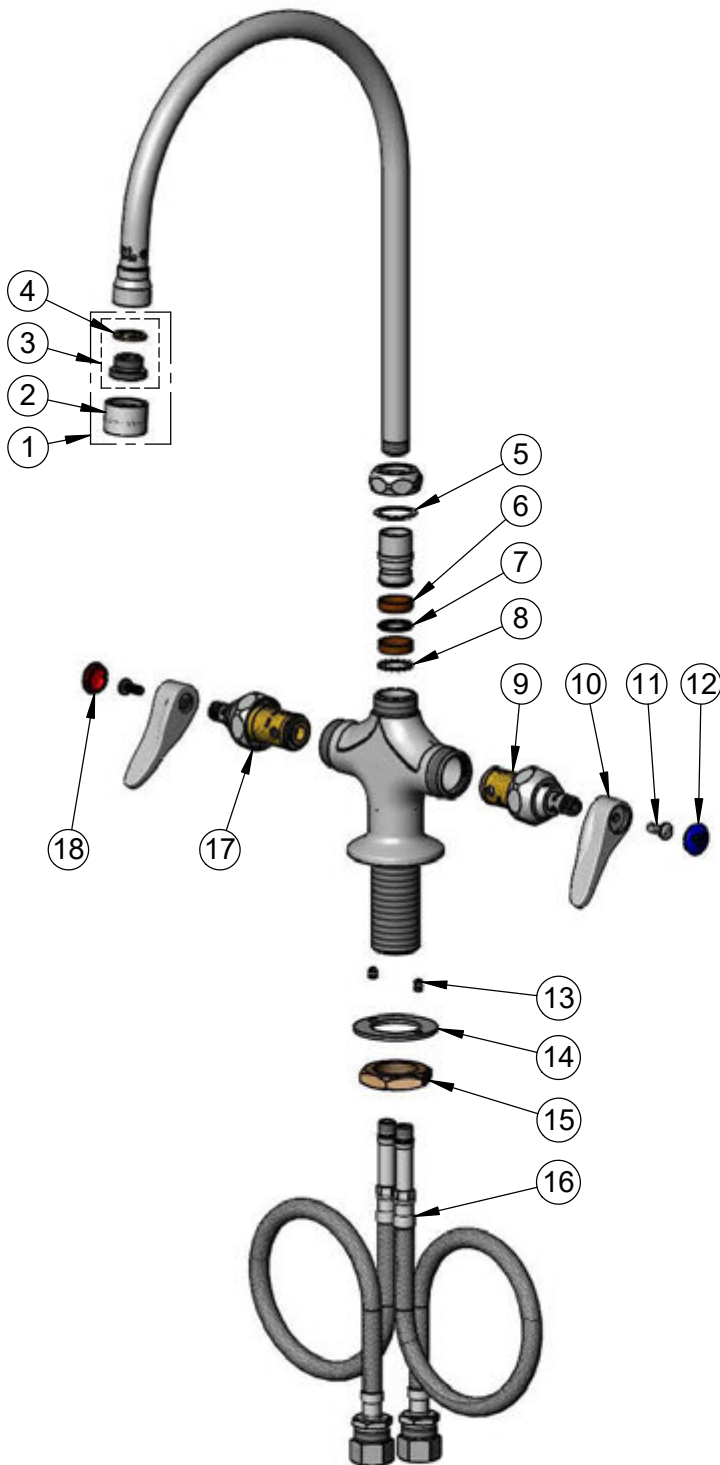
2 Saddleback Cove / P.O. Box 1088
Travelers Rest, SC 29690

Model No.

B-0314

Item No.

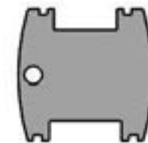
Travelers Rest, SC: 800-476-4103 • Simi Valley, CA: 800-423-0150 • Fax: 864-834-3518 • www.tsbrass.com



ITEM NO.	SALES NO.	DESCRIPTION
1	B-0199-07	VR 2.2 GPM Aerator, 3/8" NPSM Male w/ Key
2	B-0199-06	VR 2.2 GPM Aerator w/ Key
3	044A	3/8" to Aerator Adapter
4	001043-45	Washer
5	009538-45	Swivel Washer
6	011429-45	Swivel Sleeves (2)
7	001074-45	O-Ring
8	014200-45	Star Washer, Anti-Rotation
9	012442-40NS	Quarter-Turn Eterna Cartridge w/ Spring Check, LTC
10	001638-45NS	Lever Handle (New Style)
11	VRS-2	VR Wrist Action Handle Screw (2) w/ Spanner Bit
12	018506-19NS	Blue Button Index, Press-in
13	012698-45	Anti-Rotation Screw (2)
14	013039-20	Washer, VR Shank
15	000965-45	Lock Nut
16	012534-45	18" Flexible Supply Hose (2)
17	012443-40NS	Quarter-Turn Eterna Cartridge w/ Spring Check, RTC
18	001193-19NS	Red Button Index, Press-in



014075-45
VR Spanner Bit



015425-45
VR Aerator Key

Product Specifications:

Single Hole Deck Mount Mixing Faucet, Quarter-Turn Eterna Cartridges w/ Spring Checks, Lever Handles w/ Vandal Resistant Screws, 8 13/16" Swivel/Rigid Gooseneck w/ 2.2 GPM Vandal Resistant Aerator, 18" Flexible Stainless Steel Supply Hoses w/ 1/2" NPSM Male Inlets & Vandal Resistant Anti-Rotational Pins

Product Compliance:

ASME A112.18.1 / CSA B125.1
NSF 61 - Section 9
NSF 372 (Low Lead Content)
ANSI A117.1 (ADA)