



T&S BRASS AND BRONZE WORKS, INC.
 2 Saddleback Cove / P.O. Box 1088
 Travelers Rest, SC 29690

Model No.
B-0407-04

Item No.

Travelers Rest, SC: 800-476-4103 • Simi Valley, CA: 800-423-0150 • Fax: 864-834-3518 • www.tsbrass.com

This Space for Architect/Engineer Approval

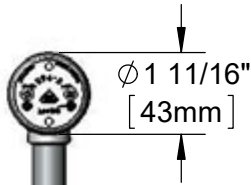
Job Name _____ Date _____

Model Specified _____ Quantity _____

Customer/Wholesaler _____

Contractor _____

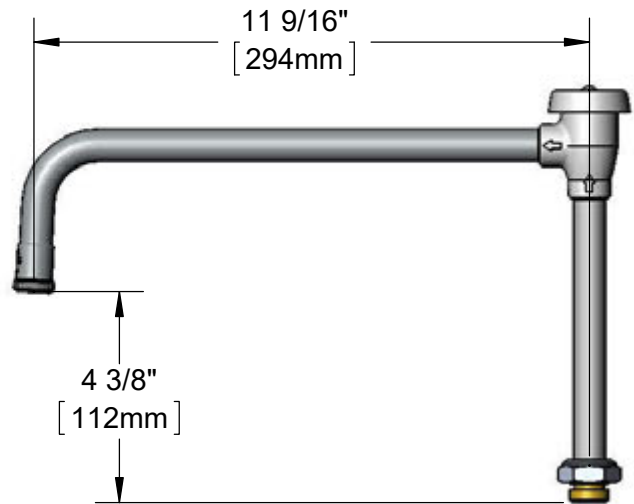
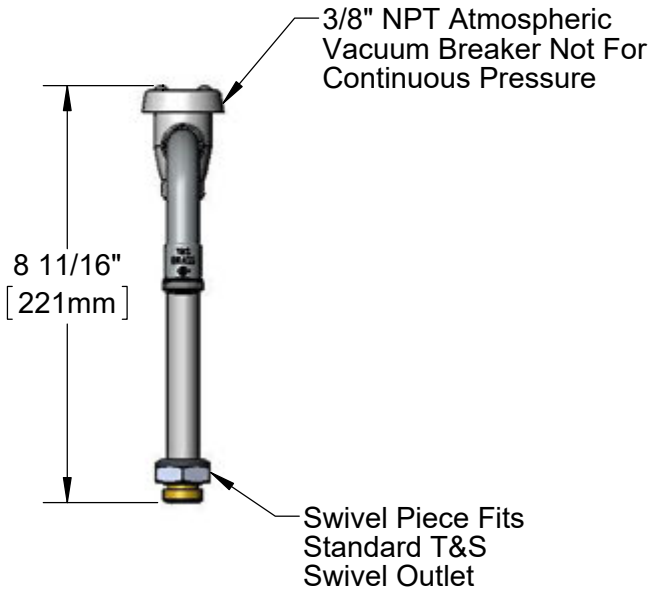
Architect/Engineer _____



Ø 1 11/16"
 [43mm]



11 9/16" Nozzle w/
 Stream Regulator
 Outlet



Product Specifications:
 Vacuum Breaker Swing Nozzle w/ Stream Regulator Outlet and 11 9/16"
 Spread.

Product Compliance:
 ASME A112.18.1 / CSA B125.1
 NSF 61 - Section 9
 NSF 372 (Low Lead Content)
 ASSE 1001 (VB)



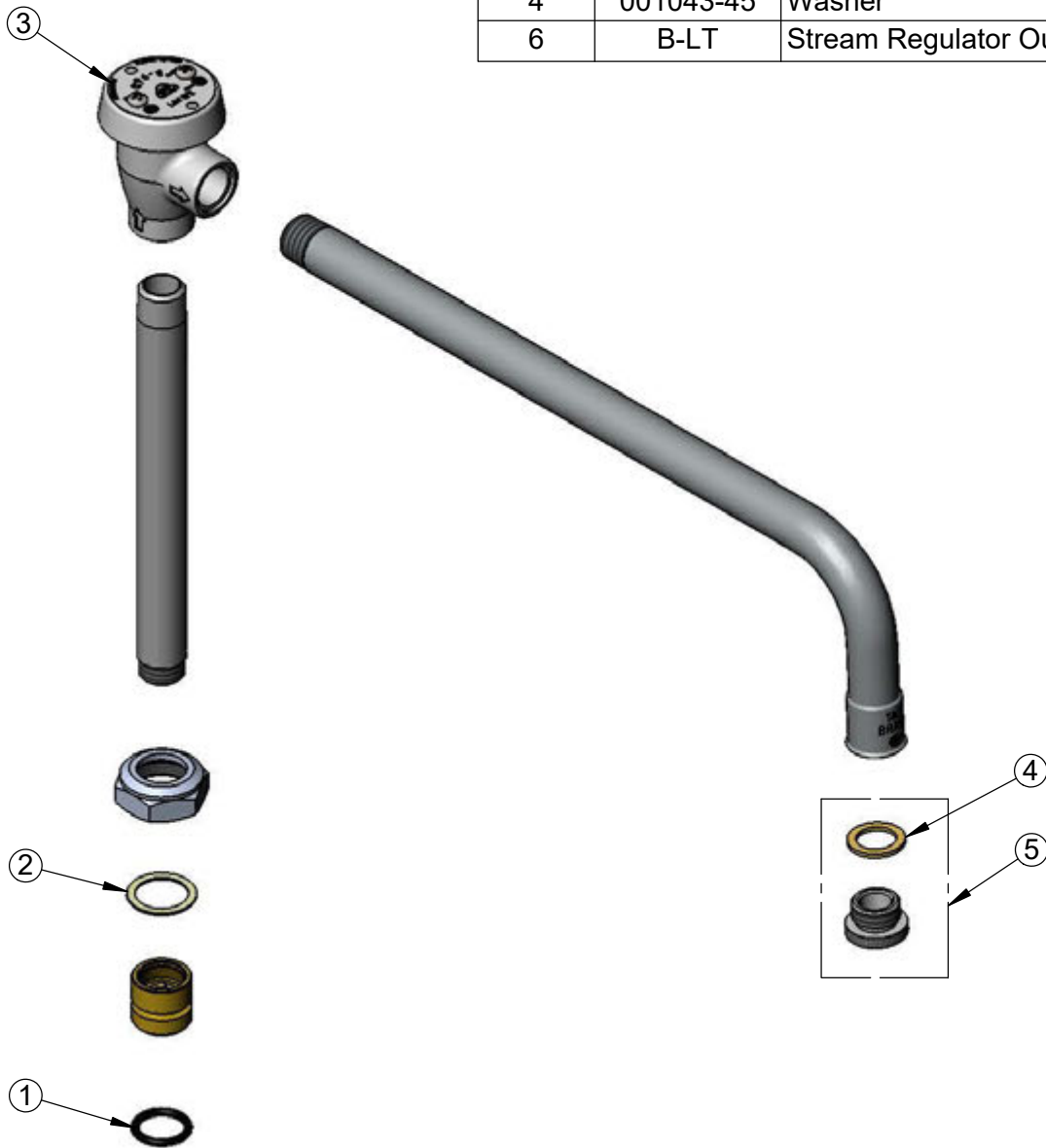
T&S BRASS AND BRONZE WORKS, INC.
 2 Saddleback Cove / P.O. Box 1088
 Travelers Rest, SC 29690

Model No.
B-0407-04

Item No.

Travelers Rest, SC: 800-476-4103 • Simi Valley, CA: 800-423-0150 • Fax: 864-834-3518 • www.tsbrass.com

ITEM NO.	SALES NO.	DESCRIPTION
1	001074-45	O-Ring
2	001023-45	Swivel Binding Washer
3	B-0968	3/8" NPT Vacuum Breaker
4	001043-45	Washer
6	B-LT	Stream Regulator Outlet



Product Specifications:
 Vacuum Breaker Swing Nozzle w/ Stream Regulator Outlet and 11 9/16" Spread.

Product Compliance:
 ASME A112.18.1 / CSA B125.1
 NSF 61 - Section 9
 NSF 372 (Low Lead Content)
 ASSE 1001 (VB)