



T&S BRASS AND BRONZE WORKS, INC.

2 Saddleback Cove / P.O. Box 1088
Travelers Rest, SC 29690

Model No.

B-0206-02

Item No.

Travelers Rest, SC: 800-476-4103 • Simi Valley, CA: 800-423-0150 • Fax: 864-834-3518 • www.tsbrass.com



ADA Compliant

This Space for Architect/Engineer Approval

Job Name _____ Date _____

Model Specified _____ Quantity _____

Customer/Wholesaler _____

Contractor _____

Architect/Engineer _____

3 5/16"
[84mm]



062X
12" Swing Nozzle w/
Stream Regulator
Outlet

Swivel Joint

7 5/8" Straight
Swivel Extension

Swivel Joint

Quarter-Turn
Eterna Cartridge
w/ Spring Check
& Lever Handle
w/ Blue Color
Coded Index

2 7/16"
[62mm]



2 5/8"
[67mm]

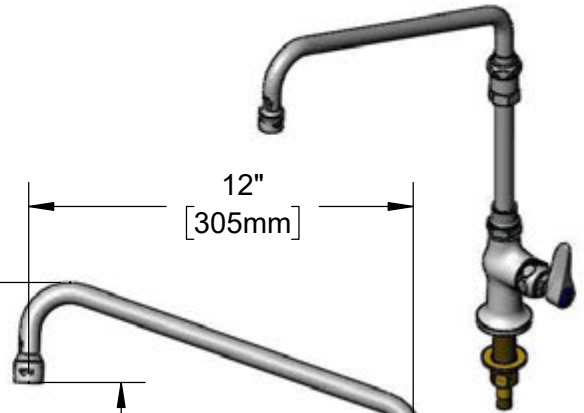
Ø 2" [51mm]
Base w/
1/2" NPSM
Male Inlet

Mounting Surface

17 3/4"
[452mm]

14 5/8"
[372mm]

12"
[305mm]



1 5/8"
[41mm]
Maximum
Thickness

150A
Optional Tailpiece
and Nut for 1/4" NPT
Connection (Included)

Rough-In Requirement:
Ø 1" [25mm] Mounting Hole

Product Specifications:

Single Hole Single Temperature Deck Mount Faucet, Quarter-Turn Eterna Cartridge w/ Spring Check, Lever Handle, 12" Swing Nozzle, 7 5/8" Swivel Extension & 1/2" NPSM Male Inlet

Product Compliance:

ASME A112.18.1 / CSA B125.1
NSF 61 - Section 9
NSF 372 (Low Lead Content)
ANSI A117.1 (ADA)



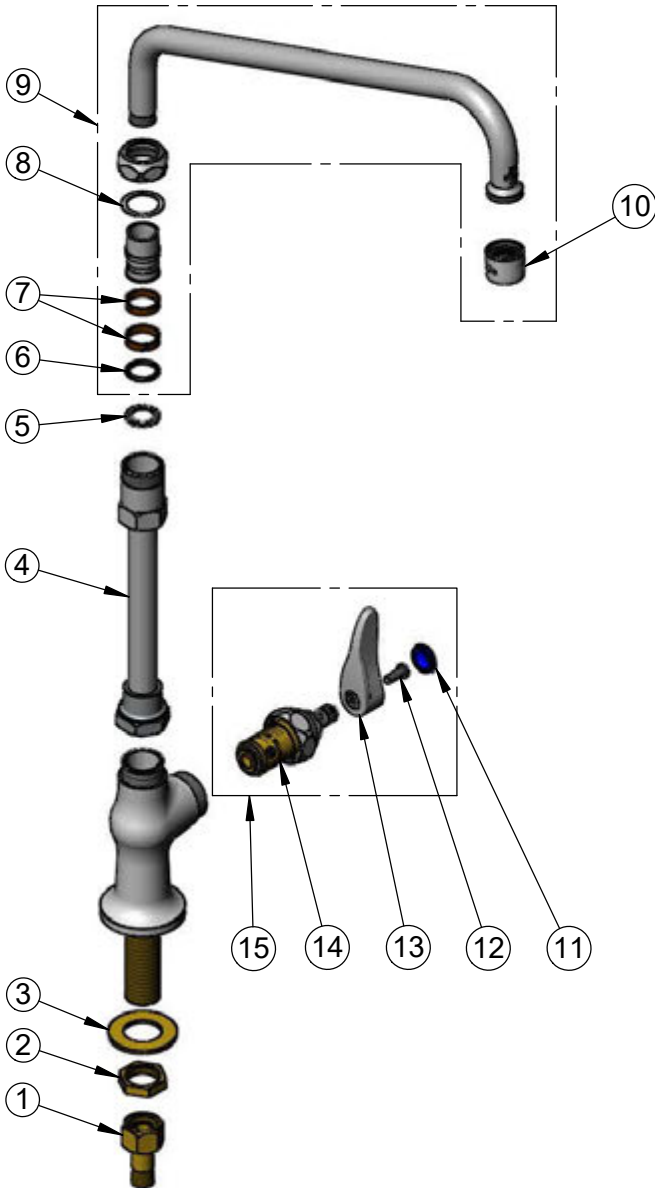
T&S BRASS AND BRONZE WORKS, INC.
 2 Saddleback Cove / P.O. Box 1088
 Travelers Rest, SC 29690

Model No.
B-0206-02

Item No.

Travelers Rest, SC: 800-476-4103 • Simi Valley, CA: 800-423-0150 • Fax: 864-834-3518 • www.tsbrass.com

ITEM NO.	SALES NO.	DESCRIPTION
1	150A	1/4" NPT Tailpiece & Nut
2	002954-45	Shank Lock Nut
3	000999-45	Brass Lock Washer
4	B-1912-10	7 5/8" Straight Swivel Extension
5	014200-45	Star Washer, Anti-Rotation
6	001074-45	O-Ring
7	011429-45	Swivel Sleeves (2)
8	009538-45	Swivel Washer
9	062X	12" Swing Nozzle
10	B-PT	Stream Regulator Outlet
11	018506-19NS	Blue Button Index, Press-in
12	000925-45	Lab Handle Screw
13	001638-45NS	Lever Handle (New Style)
14	012443-40NS	Quarter-Turn Eterna Cartridge w/ Spring Check, RTC
15	019639-40	Quarter-Turn Eterna Cartridge RTC w/ Spring Check, Handle, Blue Index & Screw



Product Specifications:

Single Hole Single Temperature Deck Mount Faucet, Quarter-Turn Eterna Cartridge w/ Spring Check, Lever Handle, 12" Swing Nozzle, 7 5/8" Swivel Extension & 1/2" NPSM Male Inlet

Product Compliance:

ASME A112.18.1 / CSA B125.1
 NSF 61 - Section 9
 NSF 372 (Low Lead Content)
 ANSI A117.1 (ADA)