



# T&S BRASS AND BRONZE WORKS, INC.

2 Saddleback Cove / P.O. Box 1088  
Travelers Rest, SC 29690

Model No.

**B-0305-CR**

Item No.

Travelers Rest, SC: 800-476-4103 • Simi Valley, CA: 800-423-0150 • Fax: 864-834-3518 • www.tsbrass.com



**ADA Compliant**

This Space for Architect/Engineer Approval

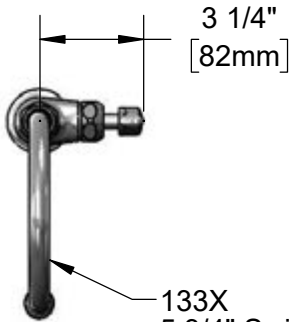
Job Name \_\_\_\_\_ Date \_\_\_\_\_

Model Specified \_\_\_\_\_ Quantity \_\_\_\_\_

Customer/Wholesaler \_\_\_\_\_

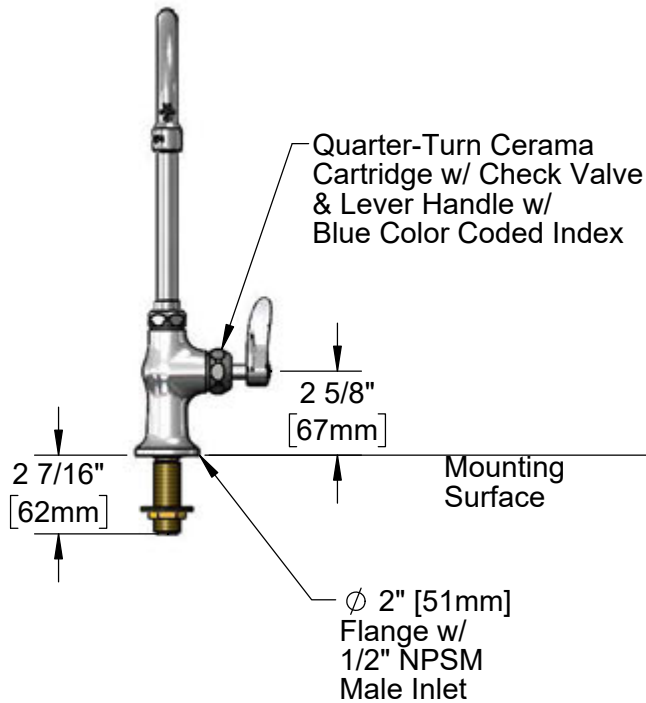
Contractor \_\_\_\_\_

Architect/Engineer \_\_\_\_\_



3 1/4"  
[82mm]

133X  
5 3/4" Swivel Gooseneck  
w/ Stream Regulator Outlet.  
Converts to Rigid w/  
014200-45 Lock Washer  
(Included)



Quarter-Turn Cerama  
Cartridge w/ Check Valve  
& Lever Handle w/  
Blue Color Coded Index

2 5/8"  
[67mm]

2 7/16"  
[62mm]

Mounting  
Surface

Ø 2" [51mm]  
Flange w/  
1/2" NPSM  
Male Inlet



5 3/4"  
[145mm]

13 15/16"  
[354mm]

9 1/2"  
[242mm]

150A  
Optional Tailpiece & Nut  
For 1/4" NPT Connection  
(Included)

1 5/8"  
[41mm]  
Maximum  
Thickness

Rough-In Requirement:  
Ø 1" [25mm] Mounting Hole

**Product Specifications:**

Single Hole Single Temperature Deck Mount Faucet, Quarter-Turn Cerama Cartridge w/ Check Valve, Lever Handle, 5 3/4" Swivel/Rigid Gooseneck & 1/2" NPSM Male Inlet

**Product Compliance:**

ASME A112.18.1 / CSA B125.1  
NSF 61 - Section 9  
NSF 372 (Low Lead Content)  
ANSI A117.1 (ADA)

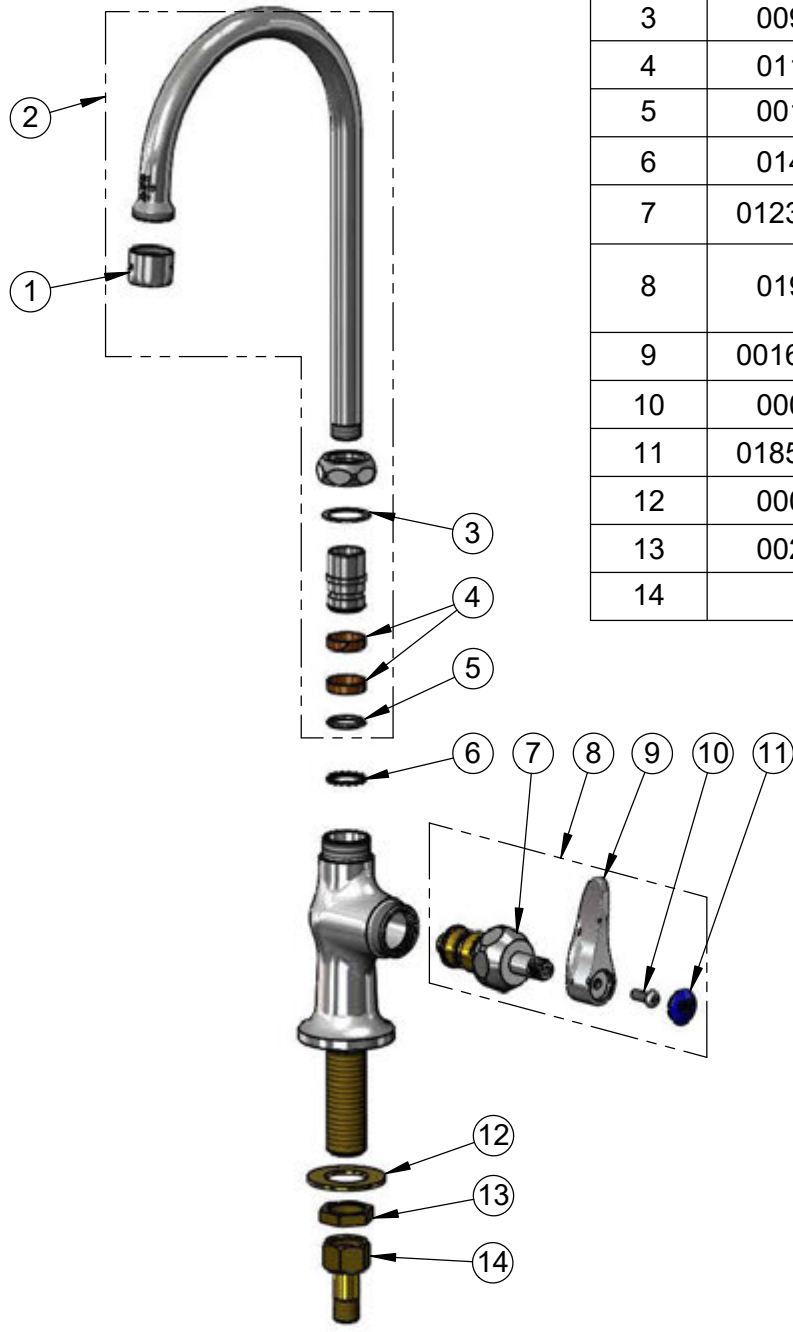


**T&S BRASS AND BRONZE WORKS, INC.**  
 2 Saddleback Cove / P.O. Box 1088  
 Travelers Rest, SC 29690

Model No.  
**B-0305-CR**

Item No.

Travelers Rest, SC: 800-476-4103 • Simi Valley, CA: 800-423-0150 • Fax: 864-834-3518 • www.tsbrass.com



| ITEM NO. | SALES NO.   | DESCRIPTION  |
|----------|-------------|--|
| 1        | B-PT        | Stream Regulator Outlet  |
| 2        | 133X        | 6" Swivel Gooseneck  |
| 3        | 009538-45   | Swivel Washer  |
| 4        | 011429-45   | Swivel Sleeves (2)   |
| 5        | 001074-45   | O-Ring   |
| 6        | 014200-45   | Star Washer, Anti-Rotation   |
| 7        | 012394-25NS | Quarter-Turn Cerama Cartridge w/<br>Check Valve, RTC                               |
| 8        | 019641-25   | Quarter-Turn Cerama Cartridge RTC<br>w/ Check Valve, Handle, Blue Index &<br>Screw |
| 9        | 001638-45NS | Lever Handle (New Style)   |
| 10       | 000925-45   | Lab Handle Screw   |
| 11       | 018506-19NS | Blue Button Index, Press-in  |
| 12       | 000999-45   | Brass Lock Washer  |
| 13       | 002954-45   | Shank Lock Nut   |
| 14       | 150A        | 1/4" NPT Tailpiece & Nut   |

Product Specifications:  
 Single Hole Single Temperature Deck Mount Faucet, Quarter-Turn Cerama Cartridge w/ Check Valve, Lever Handle, 5 3/4" Swivel/Rigid Gooseneck & 1/2" NPSM Male Inlet

Product Compliance:  
 ASME A112.18.1 / CSA B125.1  
 NSF 61 - Section 9  
 NSF 372 (Low Lead Content)  
 ANSI A117.1 (ADA)