



# T&S BRASS AND BRONZE WORKS, INC.

2 Saddleback Cove / P.O. Box 1088  
Travelers Rest, SC 29690

Model No.

**B-2283-CR**

Item No.

Travelers Rest, SC: 800-476-4103 • Simi Valley, CA: 800-423-0150 • Fax: 864-834-3518 • www.tsbrass.com



**ADA Compliant**

This Space for Architect/Engineer Approval

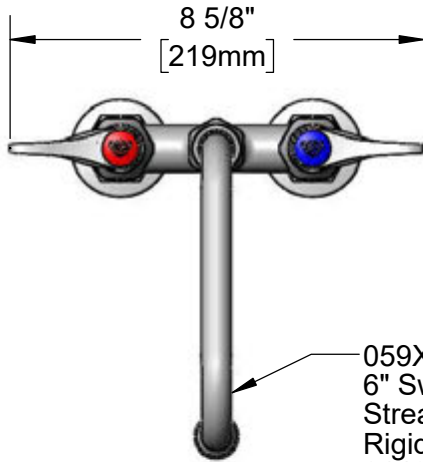
Job Name \_\_\_\_\_ Date \_\_\_\_\_

Model Specified \_\_\_\_\_ Quantity \_\_\_\_\_

Customer/Wholesaler \_\_\_\_\_

Contractor \_\_\_\_\_

Architect/Engineer \_\_\_\_\_

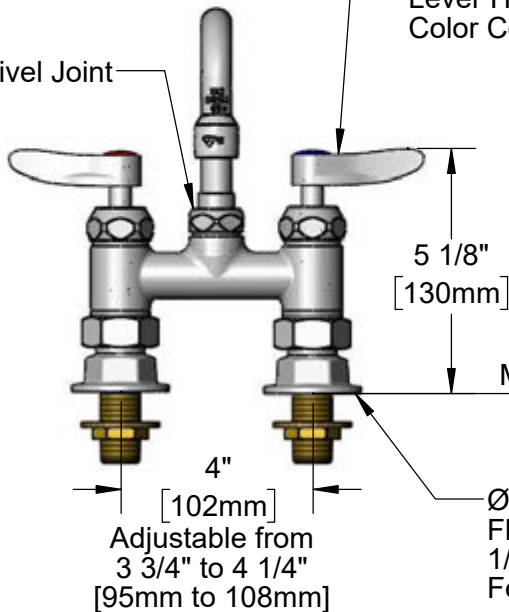


059X  
6" Swing Nozzle w/  
Stream Regulator Outlet.  
Rigid Conversion Requires  
014200-45 Lock Washer  
(Included)



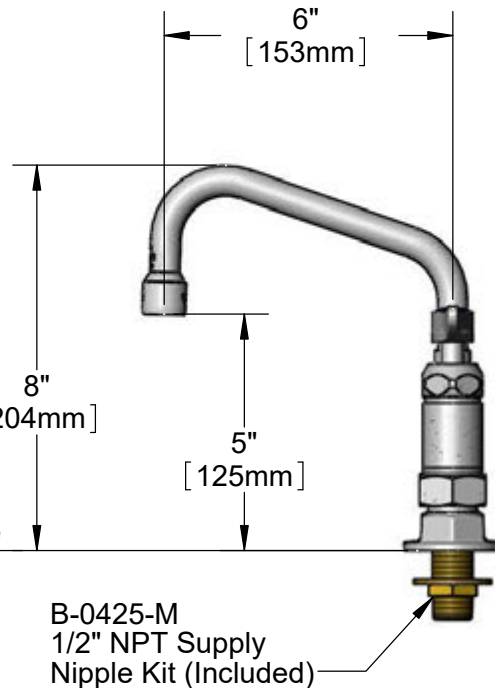
Swivel Joint

Quarter-Turn  
Cerama Cartridges w/  
Check Valves &  
Lever Handles w/  
Color Coded Indexes



Mounting Surface

Ø 2" [51mm]  
Flanges w/  
1/2" NPT  
Female Inlets



B-0425-M  
1/2" NPT Supply  
Nipple Kit (Included)

### Product Specifications:

4" Deck Mount Mixing Faucet, Quarter-Turn Cerama Cartridges w/ Check Valves, Lever Handles, 6" Swing Nozzle w/ Stream Regulator Outlet & 1/2" NPT Female Inlets & 1/2" NPT Supply Nipple Kit

### Product Compliance:

ASME A112.18.1 / CSA B125.1  
NSF 61 - Section 9  
NSF 372 (Low Lead Content)  
ANSI A117.1 (ADA)

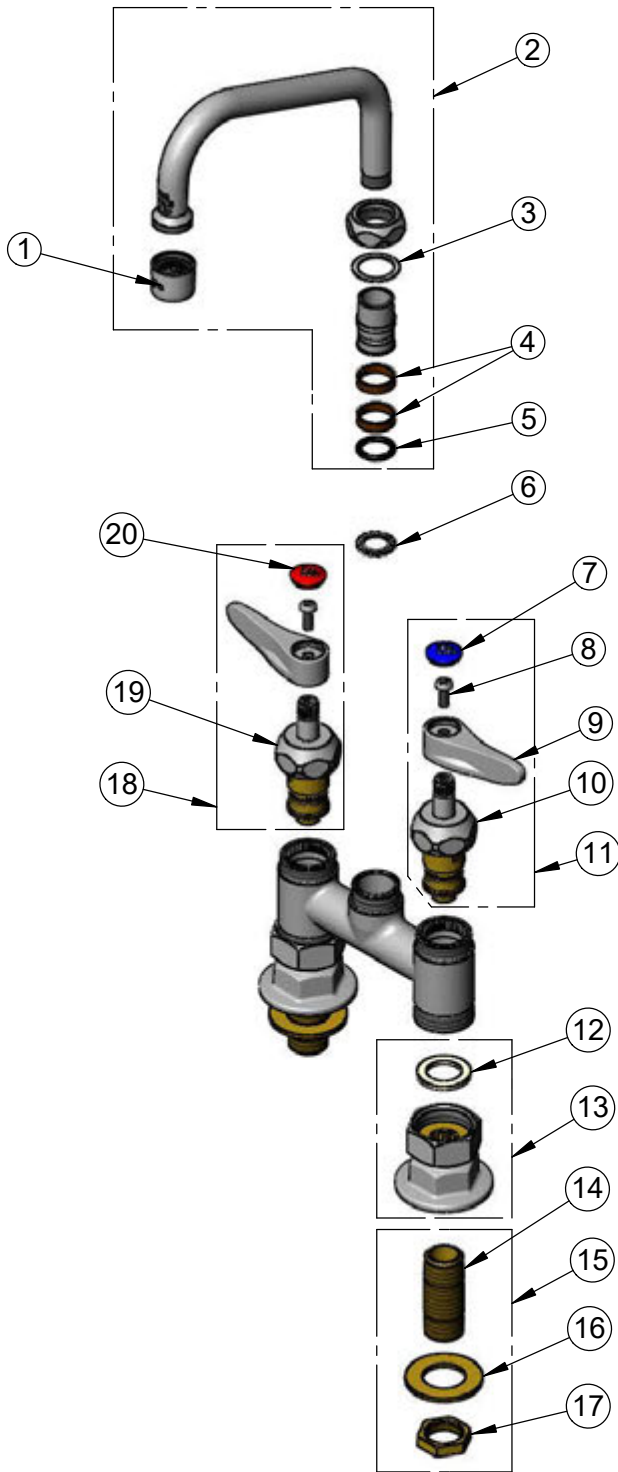


**T&S BRASS AND BRONZE WORKS, INC.**  
 2 Saddleback Cove / P.O. Box 1088  
 Travelers Rest, SC 29690

Model No.  
**B-2283-CR**

Item No.

Travelers Rest, SC: 800-476-4103 • Simi Valley, CA: 800-423-0150 • Fax: 864-834-3518 • www.tsbrass.com



ITEM NO.	SALES NO.	DESCRIPTION
1	B-PT	Full Flow Stream Regulator, 55/64-27
2	059X	6" Swing Nozzle
3	009538-45	Swivel Washer
4	011429-45	Swivel Sleeves (2)
5	001074-45	O-Ring
6	014200-45	Star Washer, Anti-Rotation
7	018506-19NS	Blue Button Index, Press-in
8	000925-45	Lab Handle Screw
9	001638-45NS	Lever Handle (New Style)
10	012395-25NS	Quarter-Turn Cerama Cartridge w/ Check Valve, LTC
11	012447-25NS	Quarter-Turn Cerama Cartridge w/ Check Valve, Handle, Blue Index & Screw, LTC
12	001019-45	Coupling Nut Washer
13	00AA	1/2" NPT Female Eccentric Flange
14	000422-20	1/2" NPT x 2" Supply Nipple
15	B-0425-M	1/2" NPT Supply Nipple Kit (2)
16	000999-45	Brass Lock Washer
17	002954-45	Shank Lock Nut
18	012446-25NS	Quarter-Turn Cerama Cartridge w/ Check Valve, Handle, Red Index & Screw, RTC
19	012394-25NS	Quarter-Turn Cerama Cartridge w/ Check Valve, RTC
20	001193-19NS	Red Button Index, Press-in

**Product Specifications:**

4" Deck Mount Mixing Faucet, Quarter-Turn Cerama Cartridges w/ Check Valves, Lever Handles, 6" Swing Nozzle w/ Stream Regulator Outlet & 1/2" NPT Female Inlets & 1/2" NPT Supply Nipple Kit

**Product Compliance:**

ASME A112.18.1 / CSA B125.1  
 NSF 61 - Section 9  
 NSF 372 (Low Lead Content)  
 ANSI A117.1 (ADA)