



**T&S BRASS AND BRONZE WORKS, INC.**  
 2 Saddleback Cove / P.O. Box 1088  
 Travelers Rest, SC 29690

Model No.  
**B-0330CR-PRISON**

Item No.

Travelers Rest, SC: 800-476-4103 • Simi Valley, CA: 800-423-0150 • Fax: 864-834-3518 • www.tsbrass.com



**ADA Compliant**

This Space for Architect/Engineer Approval

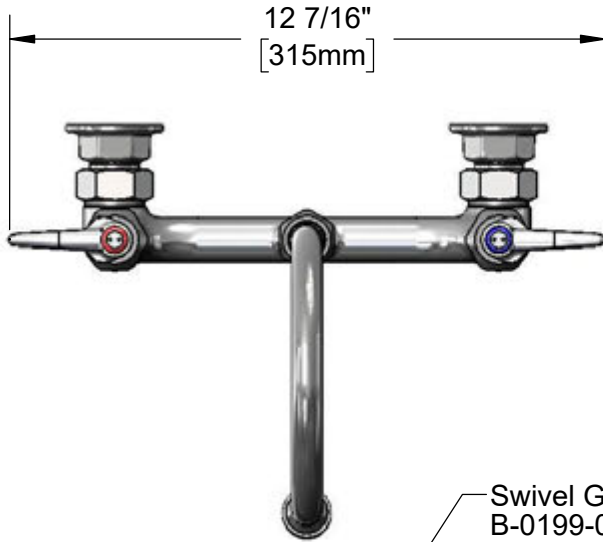
Job Name \_\_\_\_\_ Date \_\_\_\_\_

Model Specified \_\_\_\_\_ Quantity \_\_\_\_\_

Customer/Wholesaler \_\_\_\_\_

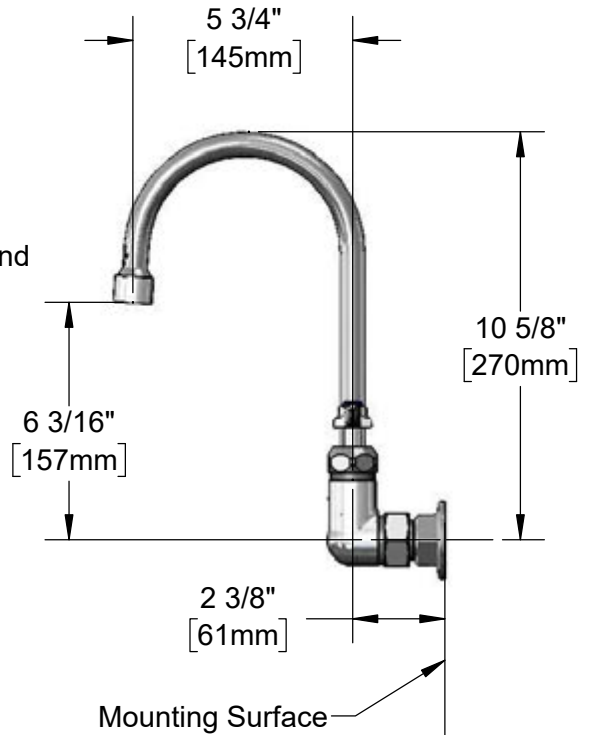
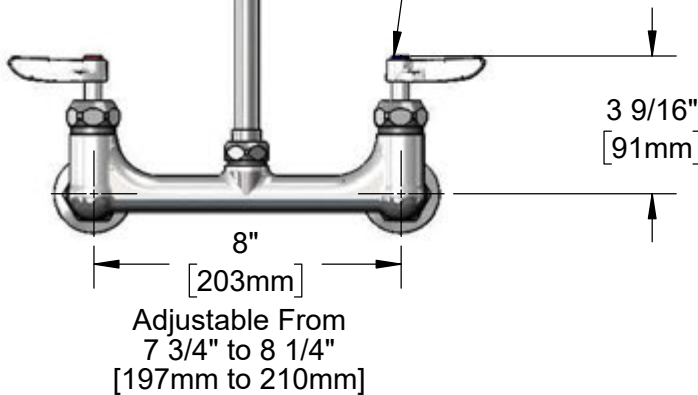
Contractor \_\_\_\_\_

Architect/Engineer \_\_\_\_\_



Swivel Gooseneck w/  
 B-0199-06-F10  
 1.0 GPM Aerator  
 Converts to Rigid w/  
 014200-45  
 Lock Washer (Included).

Quarter-Turn  
 Cerama Cartridges &  
 Solid Brass Chrome Plated  
 Lever Handles w/  
 Vandal Resistant Screws and  
 Color Coded Indexes



**Product Specifications:**

8" Wall Mount Mixing Faucet, Quarter-Turn Cerama Cartridges w/  
 Check Valves, Solid Brass Chrome Plated Lever Handles, 5 3/4"  
 Swivel/Rigid Gooseneck w/ 1.0 GPM Vandal Resistant Aerator & 1/2"  
 NPT Female Inlets

**Product Compliance:**

ASME A112.18.1 / CSA B125.1  
 NSF 61 - Section 9  
 NSF 372 (Low Lead Content)  
 ANSI A117.1 (ADA)



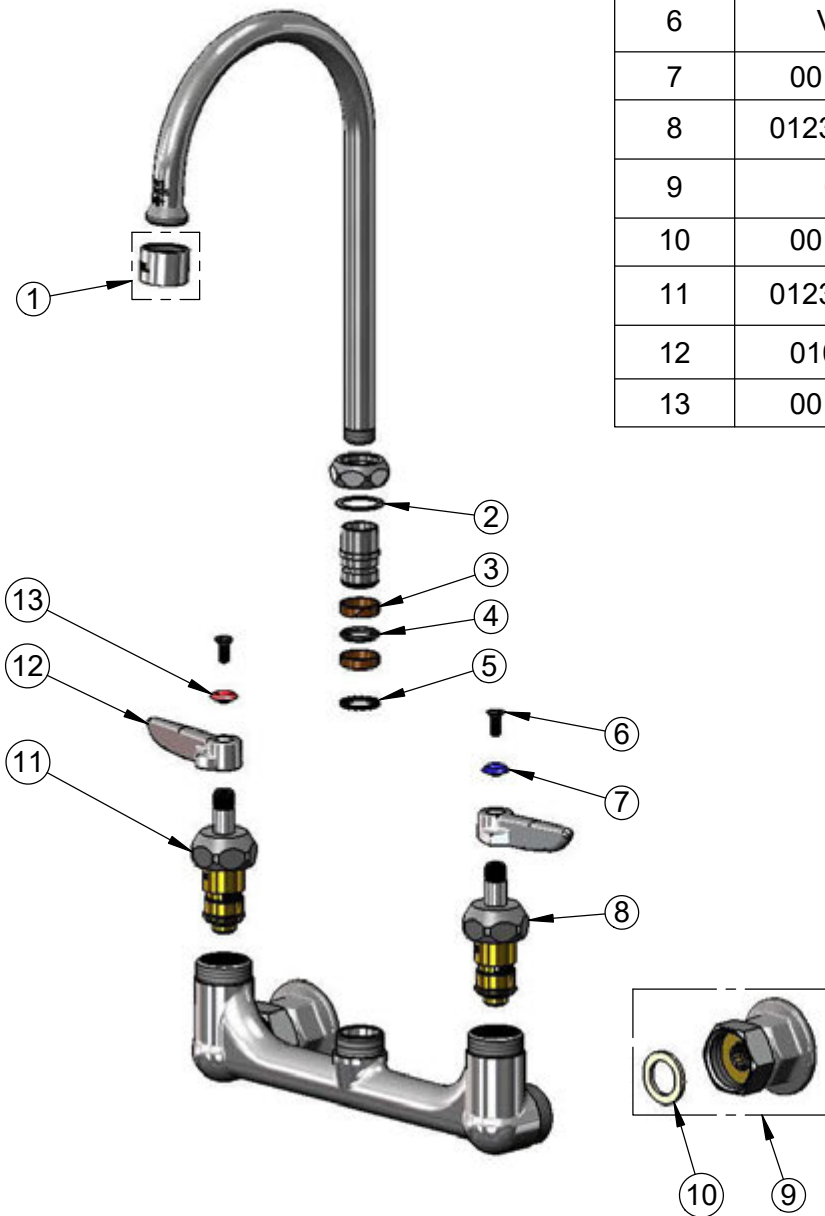
**T&S BRASS AND BRONZE WORKS, INC.**  
 2 Saddleback Cove / P.O. Box 1088  
 Travelers Rest, SC 29690

Model No.  
**B-0330CR-PRISON**

Item No.

Travelers Rest, SC: 800-476-4103 • Simi Valley, CA: 800-423-0150 • Fax: 864-834-3518 • www.tsbrass.com

| ITEM NO. | SALES NO.     | DESCRIPTION                                       |
|----------|---------------|---|
| 1        | B-0199-06-F10 | VR Aerator, 1.0 GPM, 55/64-27 Female              |
| 2        | 009538-45     | Swivel Washer                                     |
| 3        | 011429-45     | Swivel Sleeves (2)                                |
| 4        | 001074-45     | O-Ring  |
| 5        | 014200-45     | Star Washer, Anti-Rotation                        |
| 6        | VRS-1         | VR Lever Handle Screw (2) w/ Spanner Bit          |
| 7        | 001660-45     | Blue Index-CW                                     |
| 8        | 012395-25NS   | Quarter-Turn Cerama Cartridge w/ Check Valve, LTC |
| 9        | 00AA          | 1/2" NPT Female Eccentric Flange                  |
| 10       | 001019-45     | Coupling Nut Washer                               |
| 11       | 012394-25NS   | Quater-Turn Cerama Cartridge w/ Check Valve, RTC  |
| 12       | 010027-40     | Solid Brass Chrome Plated Lever Handle            |
| 13       | 001661-45     | Red Index-HW                                      |



014074-45  
Spanner Bit



015425-45  
Vandal Resistant  
Key

Product Specifications:  
 8" Wall Mount Mixing Faucet, Quarter-Turn Cerama Cartridges w/ Check Valves, Solid Brass Chrome Plated Lever Handles, 5 3/4" Swivel/Rigid Gooseneck w/ 1.0 GPM Vandal Resistant Aerator & 1/2" NPT Female Inlets

Product Compliance:  
 ASME A112.18.1 / CSA B125.1  
 NSF 61 - Section 9  
 NSF 372 (Low Lead Content)  
 ANSI A117.1 (ADA)