

This Space for Architect/Engineer Approval

Job Name _____ Date _____
 Model Specified _____ Quantity _____
 Customer/Wholesaler _____
 Contractor _____
 Architect/Engineer _____

5SP-03
 3" equip Rigid Gooseneck
 w/ Laminar Flow Device

Ceramic Cartridges &
 equip Lever Handles
 w/ Color Coded Screws

1 1/4"
 [32mm]
 Maximum
 Thickness

Mounting Surface

12 3/16"
 [310mm]

8 7/16"
 [214mm]

Ø 2 1/4"
 [57mm]

2 13/16"
 [72mm]

18" Flexible
 Stainless Steel
 Supply Hoses

Ø 1 1/8"
 [29mm]
 Shank

Compression Fittings for
 5/8" O.D. Copper Tubing
 (Remove Compression Nut
 for 1/2" NPSM Male)

Rough-In Requirement:
 Ø 1 1/2" [38mm] Mounting Hole

Model Number
5F-2SLX03

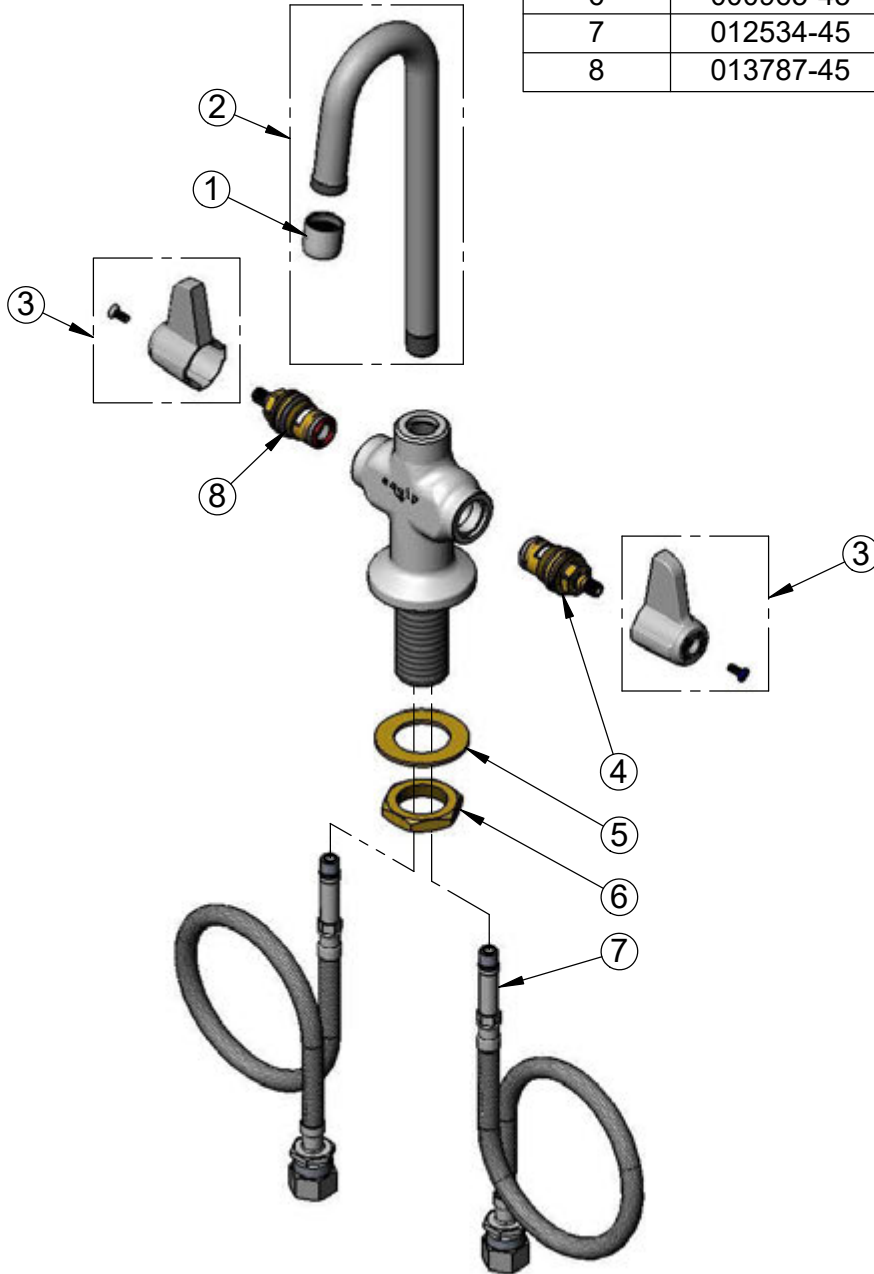
Product Specifications:
 Single Hole Deck Mount Mixing Faucet w/ Ceramic Cartridges,
 equip Lever Handles, 3" equip Rigid Gooseneck
 & 18" Flexible Stainless Steel Inlets

Product Compliance:
 ASME A112.18.1 / CSA B125.1
 NSF 61 - Section 9
 NSF 372 (Low Lead Content)
 ANSI A117.1 (ADA)

equip
 Foodservice
 Accessories

2 Saddleback Cove, P.O. Box 1088
 Travelers Rest, South Carolina 29690
 Phone: 800.891.4808 Fax: 800.868.0084
 equip.tsbrass.com

ITEM NO.	SALES NO.	DESCRIPTION
1	014250-45	Laminar Flow Device
2	5SP-03	3" equip Rigid Gooseneck
3	5-HDL-L	equip Lever Handle w/ Color Coded Screws
4	013788-45	equip Ceramic Cartridge, LTC
5	002290-45	Lock Washer
6	000965-45	Lock Nut
7	012534-45	18" Flexible Supply Hose (2)
8	013787-45	equip Ceramic Cartridge, RTC



Model Number

5F-2SLX03

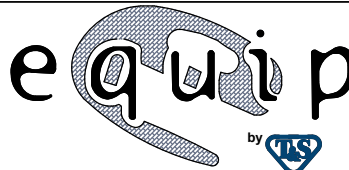
Product Specifications:

Single Hole Deck Mount Mixing Faucet w/ Ceramic Cartridges,
equip Lever Handles, 3" equip Rigid Gooseneck
& 18" Flexible Stainless Steel Inlets

Product Compliance:

ASME A112.18.1 / CSA B125.1
NSF 61 - Section 9
NSF 372 (Low Lead Content)
ANSI A117.1 (ADA)

equip
Foodservice
Accessories



2 Saddleback Cove, P.O. Box 1088
Travelers Rest, South Carolina 29690
Phone: 800.891.4808 Fax: 800.868.0084
equip.tsbrass.com