



ADA Compliant



This Space for Architect/Engineer Approval

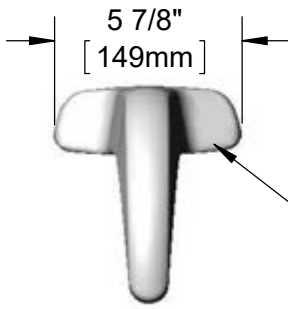
Job Name _____ Date _____

Model Specified _____ Quantity _____

Customer/Wholesaler _____

Contractor _____

Architect/Engineer _____

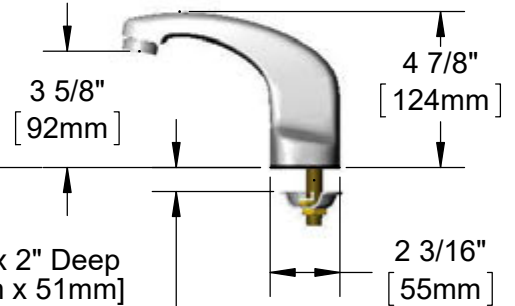


Polished Chrome Plated Cast Spout w/ B-0199-09-N05 VR 0.5 GPM [1.9LPM] Non-Aerated Spray Device w/ Key



24\" [610mm] Sensor Cable

1/2\" NPSM x 1/4\" NPSM x 18\" [457mm] Flexible Stainless Steel Hose Mounting Surface



3/4\" [19mm] Maximum Thickness

4\" [102mm]

Removable Strainer

3 5/8\" x 4 3/16\" x 2\" Deep [92mm x 106mm x 51mm] Water Resistant Control Module Box (White), AC or DC Operated w/ (4) AA Batteries

100-240 VAC Adapter w/ 71\" [1800mm] Power Cord. (Remove Rubber Plugs in Module to Connect)

(2) 3/8\" Compression x 1/2\" NPSM 18\" [457mm] Flexible Stainless Steel Supply Hoses

Mechanical Mixing Valve w/ Check Valves

Rough-In Requirement:

- (1) ϕ 1\" [25mm] Center Shank Mounting Hole
- (2) ϕ 1/2\" [13mm] Mounting Stud Holes on 4\" [102mm] Centers

Model Number

5EF-2D-DS-VF05

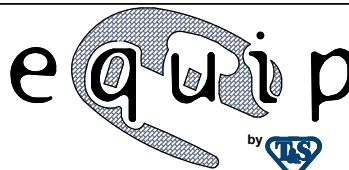
Product Specifications:

Electronic Faucet: Cast Brass Centerset Faucet w/ 4\" Mounting Studs, VR 0.5 GPM Non-Aerated Spray Device, Temperature Control Mixing Valve w/ Check Valves, (2) 18\" Flexible Supply Hoses & AC-DC Control Module

Product Compliance:

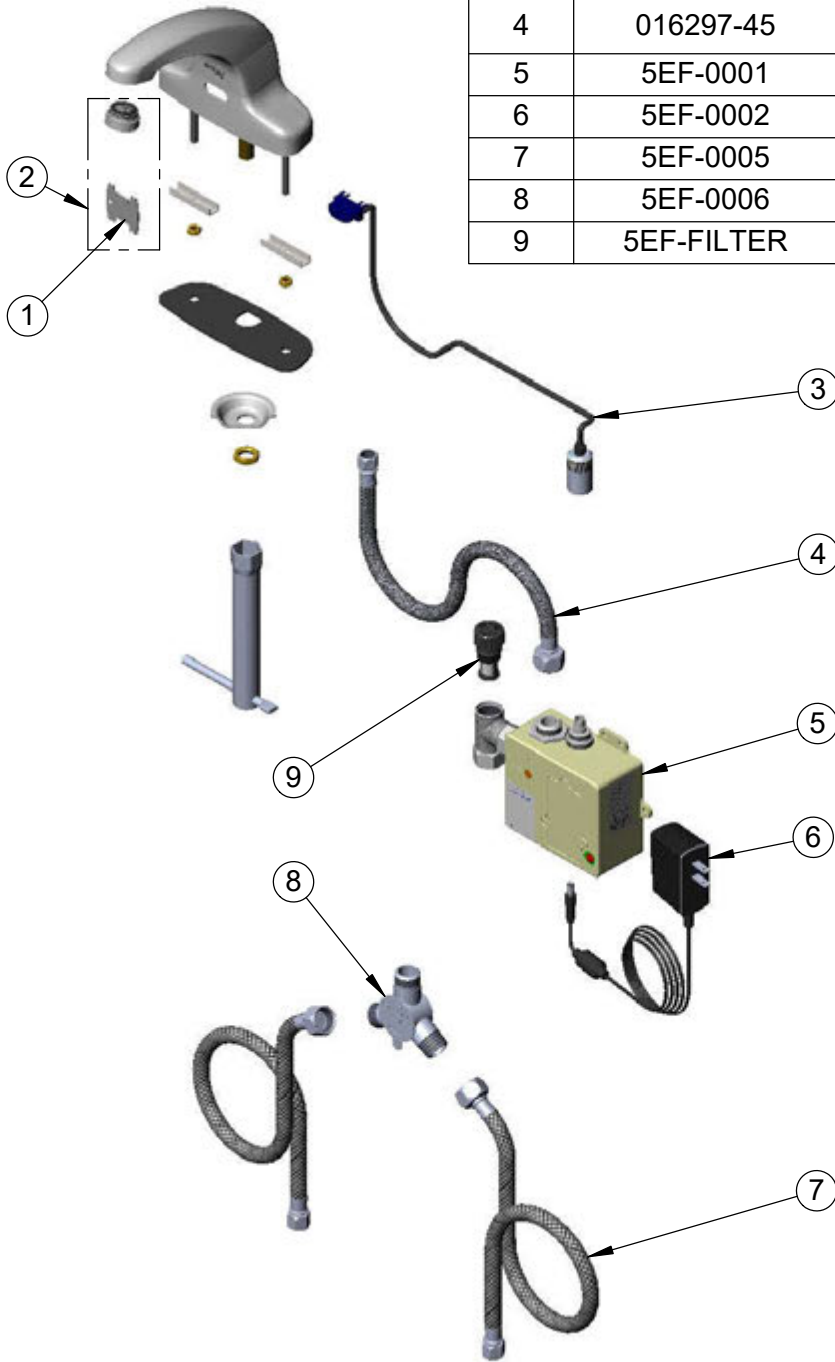
ASME A112.18.1 / CSA B125.1
NSF 61 - Section 9
NSF 372 (Low Lead Content)
ANSI A117.1 (ADA)
UL 1951

equip
Foodservice
Accessories



2 Saddleback Cove, P.O. Box 1088
Travelers Rest, South Carolina 29690
Phone: 800.891.4808 Fax: 800.868.0084
equip.tsbrass.com

ITEM NO.	SALES NO.	DESCRIPTION
1	015425-45	Vandal Resistant Key
2	B-0199-09-N05	VR 0.5 GPM Non-Aerated Spray Device, 15/16-27 UN Male w/ Key
3	5EF-0003	24" Sensor Cable
4	016297-45	Inlet Hose, Faucet, 1/2" NPSM Female x 1/4" NPSM Female
5	5EF-0001	equip Sensor Faucet Control Module
6	5EF-0002	Equip AC Transformer, 100-240 VAC
7	5EF-0005	Supply Hose, 9/16-24 Female x 1/2" NPSM
8	5EF-0006	Mechanical Mixing Valve
9	5EF-FILTER	Replacement Filter



Model Number

5EF-2D-DS-VF05

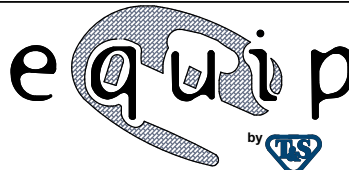
Product Specifications:

Electronic Faucet: Cast Brass Centerset Faucet w/ 4" Mounting Studs, VR 0.5 GPM Non-Aerated Spray Device, Temperature Control Mixing Valve w/ Check Valves, (2) 18" Flexible Supply Hoses & AC-DC Control Module

Product Compliance:

ASME A112.18.1 / CSA B125.1
NSF 61 - Section 9
NSF 372 (Low Lead Content)
ANSI A117.1 (ADA)
UL 1951

equip
Foodservice
Accessories



2 Saddleback Cove, P.O. Box 1088
Travelers Rest, South Carolina 29690
Phone: 800.891.4808 Fax: 800.868.0084
equip.tsbrass.com