



# T&S BRASS AND BRONZE WORKS, INC.

2 Saddleback Cove / P.O. Box 1088  
Travelers Rest, SC 29690

Model No.

**B-0305-03**

Item No.

Travelers Rest, SC: 800-476-4103 • Simi Valley, CA: 800-423-0150 • Fax: 864-834-3518 • www.tsbrass.com



**ADA Compliant**

This Space for Architect/Engineer Approval

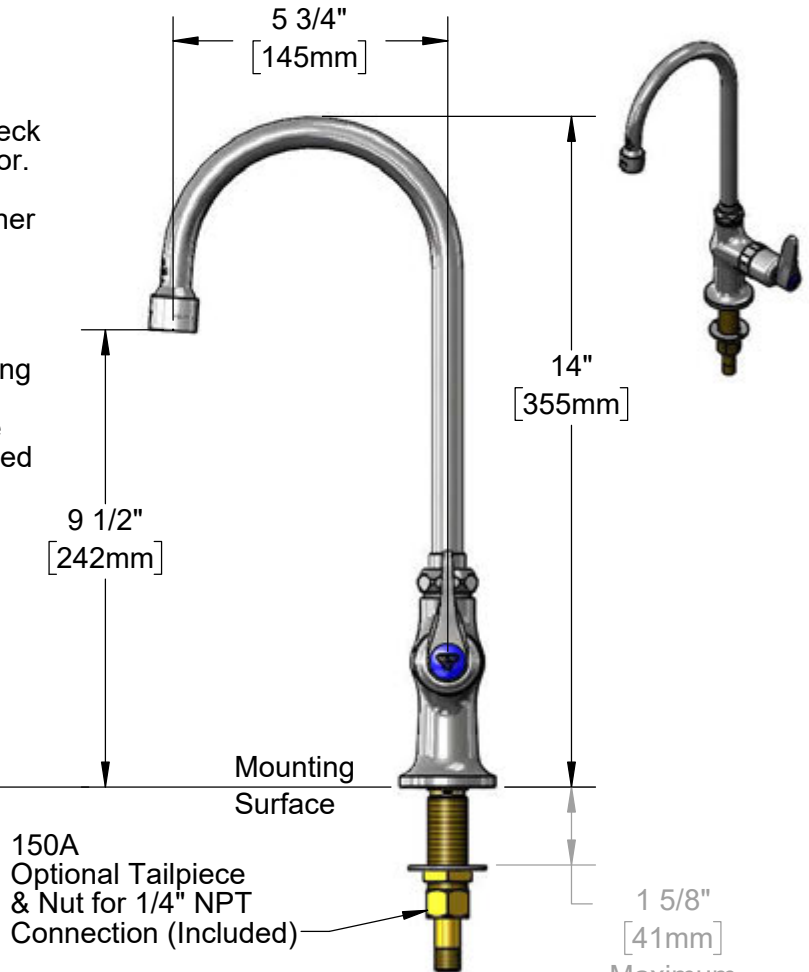
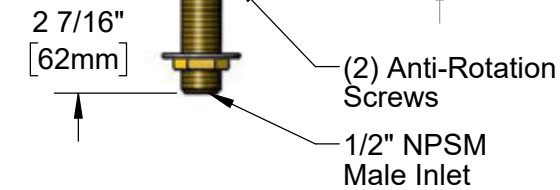
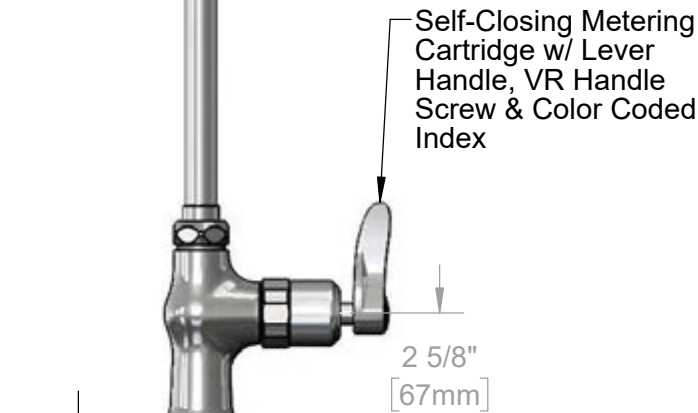
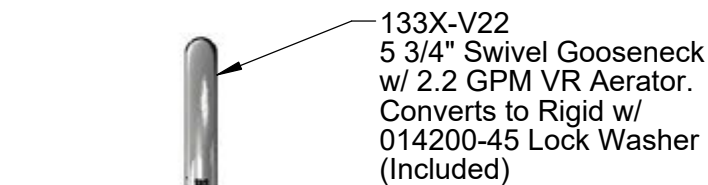
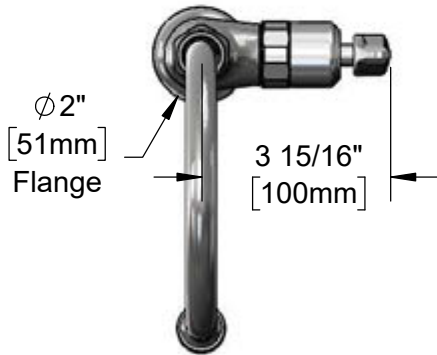
Job Name \_\_\_\_\_ Date \_\_\_\_\_

Model Specified \_\_\_\_\_ Quantity \_\_\_\_\_

Customer/Wholesaler \_\_\_\_\_

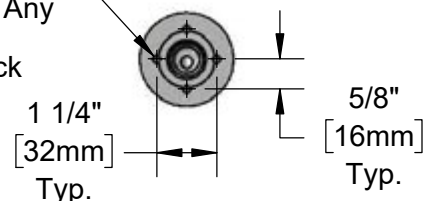
Contractor \_\_\_\_\_

Architect/Engineer \_\_\_\_\_



150A  
Optional Tailpiece  
& Nut for 1/4" NPT  
Connection (Included)

Anti-Rotation Screws  
May Be Inserted in Any  
2 of 4 Positions of  
Ø 1/4" Holes in Deck



Rough-In Requirement:  
Ø 1" [25mm] Mounting Hole

Product Specifications:  
Single Hole Single Temperature Deck Mount Faucet w/ Anti-Rotation Pins,  
Self-Closing Metering Cartridge, Lever Handle w/ VR Handle Screw,  
5 3/4" Swivel/Rigid Gooseneck, 2.2 GPM VR Aerator & 1/2" NPSM Male Inlet

Product Compliance:  
ASME A112.18.1 / CSA B125.1  
NSF 61 - Section 9  
NSF 372 (Low Lead Content)  
ANSI A117.1 (ADA)



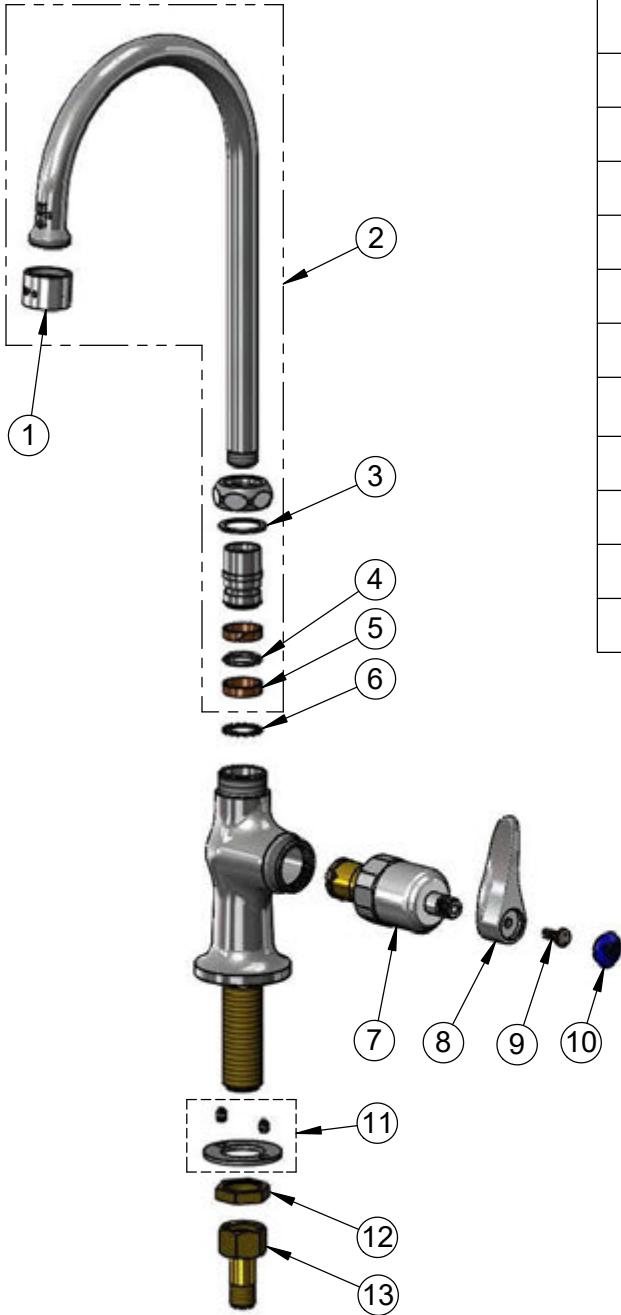
**T&S BRASS AND BRONZE WORKS, INC.**  
 2 Saddleback Cove / P.O. Box 1088  
 Travelers Rest, SC 29690

Model No.  
**B-0305-03**

Item No.

Travelers Rest, SC: 800-476-4103 • Simi Valley, CA: 800-423-0150 • Fax: 864-834-3518 • www.tsbrass.com

| ITEM NO. | SALES NO.   | DESCRIPTION  |
|----------|-------------|--|
| 1        | B-0199-06   | VR 2.2 GPM Aerator w/ Key                              |
| 2        | 133X-V22    | 5 3/4" Swivel Gooseneck w/ 2.2 GPM VR Aerator & VR Key |
| 3        | 009538-45   | Swivel Washer  |
| 4        | 001074-45   | O-Ring   |
| 5        | 011429-45   | Swivel Sleeves (2)                                     |
| 6        | 014200-45   | Star Washer, Anti-Rotation                             |
| 7        | 012449-40   | Wrist Action Metering Cartridge                        |
| 8        | 001638-45NS | Lever Handle (New Style)                               |
| 9        | VRS-2       | VR Wrist Action Handle Screw (2) w/ Spanner Bit        |
| 10       | 018506-19NS | Blue Button Index, Press-in                            |
| 11       | 012698-45   | Anti-Rotation Screw (2) & Washer                       |
| 12       | 002954-45   | Shank Lock Nut   |
| 13       | 150A        | 1/4" NPT Tailpiece & Nut                               |



015425-45  
VR Aerator Key



014075-45  
#10 Spanner Bit

**Product Specifications:**

Single Hole Single Temperature Deck Mount Faucet w/ Anti-Rotation Pins, Self-Closing Metering Cartridge, Lever Handle w/ VR Handle Screw, 5 3/4" Swivel/Rigid Gooseneck, 2.2 GPM VR Aerator & 1/2" NPSM Male Inlet

**Product Compliance:**

ASME A112.18.1 / CSA B125.1  
 NSF 61 - Section 9  
 NSF 372 (Low Lead Content)  
 ANSI A117.1 (ADA)