



# T&S BRASS AND BRONZE WORKS, INC.

2 Saddleback Cove / P.O. Box 1088  
Travelers Rest, SC 29690

Model No.

**ECR-D0810-107**

Item No.

Travelers Rest, SC: 800-476-4103 • Simi Valley, CA: 800-423-0150 • Fax: 864-834-3518 • www.tsbrass.com



**ADA Compliant**



This Space for Architect/Engineer Approval

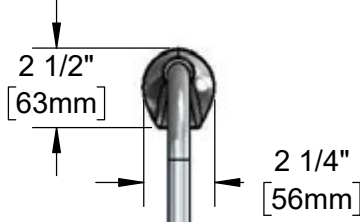
Job Name \_\_\_\_\_ Date \_\_\_\_\_

Model Specified \_\_\_\_\_ Quantity \_\_\_\_\_

Customer/Wholesaler \_\_\_\_\_

Contractor \_\_\_\_\_

Architect/Engineer \_\_\_\_\_



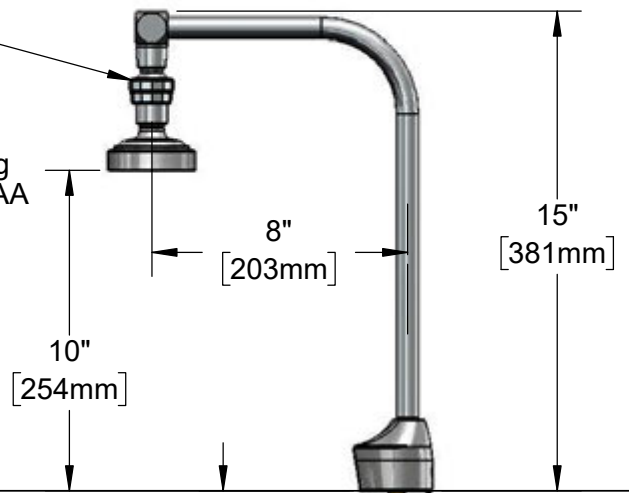
Rigid Nozzle w/  
Ball Joint Swivel &  
1.42 GPM Spray Head

3 5/8" x 4 3/16" x 2" Deep  
[92mm x 106mm x 51mm]  
Water Resistant Control Module Box  
(Grey) w/ Internal Flow Control Setting  
Switches, AC or DC Operated w/ (4) AA  
Batteries. Hardwire Capable Using  
Terminals on Back

24" [610mm]  
Sensor Cable

Removable  
Strainer

Mounting  
Surface

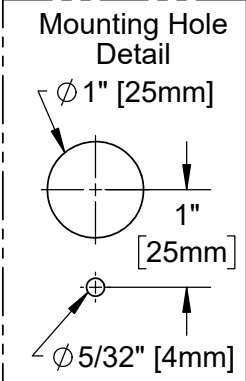


2 1/4"  
[57mm]  
Maximum  
Thickness

Ø 1/8" [3mm]  
Anti-rotation  
Pin. Remove  
Pin if Desired.  
(See Mounting  
Hole Detail)

1/2" NPSM x 1/4" NPSM  
18" [457mm] Flexible  
Stainless Steel Hose

100-240 VAC Adapter w/  
71" [1800mm] Power Cord.  
(Remove Rubber Plugs on  
Module and Cable to Connect)



Temperature Mixing Valve  
w/ Integral Check Valves

(2) 3/8" Compression x 1/2" NPSM  
18" [457mm] Flexible Stainless Steel  
Supply Hose

**Product Specifications:**

Chrome Plated Brass Electronic Faucet: Deck Mount Rigid Nozzle w/  
Ball Joint Swivel, 1.42 GPM Spray Head, AC/DC Control Module w/  
Internal Flow Control Setting Switches, Temperature Control Mixing  
Valve, 18" Flexible Stainless Steel Supply Hoses

**Product Compliance:**

ASME A112.18.1 / CSA B125.1  
NSF 61 Exempt (Non-Potable)  
ANSI A117.1 (ADA)  
UL 1951



# T&S BRASS AND BRONZE WORKS, INC.

2 Saddleback Cove / P.O. Box 1088  
Travelers Rest, SC 29690

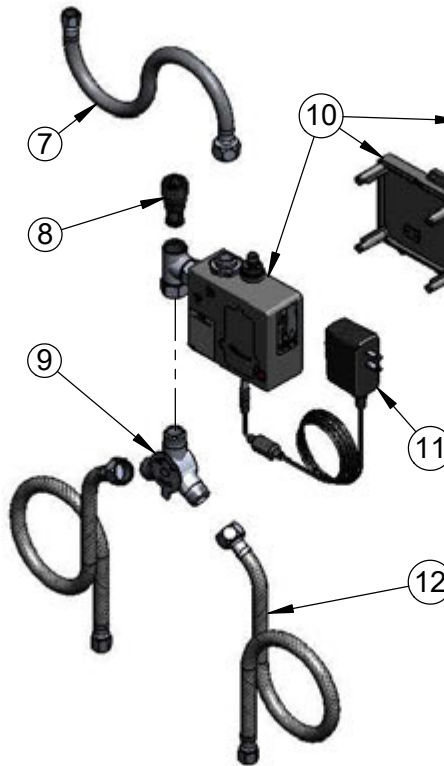
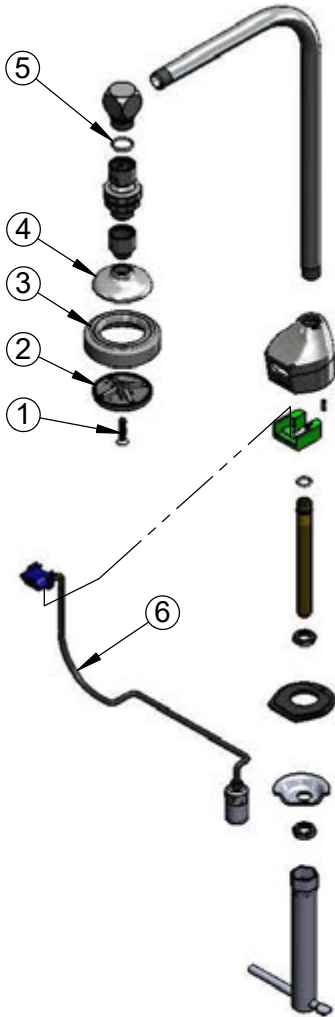
Model No.

**ECR-D0810-107**

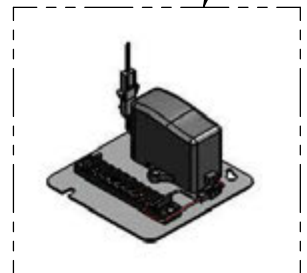
Item No.

Travelers Rest, SC: 800-476-4103 • Simi Valley, CA: 800-423-0150 • Fax: 864-834-3518 • www.tsbrass.com

ITEM NO.	SALES NO.	DESCRIPTION
1	000913-45	Screw
2	009845-45	Spray Valve Spray Face
3	007861-45	Spray Valve Sprayhead Ring
4	000019-40	Spray Cup, B-0107
5	001062-45	O-Ring
6	017195-45	Angled Sensor w/ Cable
7	016297-45	Inlet Hose, Faucet, 1/2" NPSM-F x 1/4" NPSM-F
8	EC-FILTER	Replacement Filter
9	5EF-0006	Mechanical Mixing Valve
10	016647-45	ChekPoint Module (Grey)
11	5EF-0002	A/C Transformer
12	5EF-0005	Supply Hose, 9/16-24 Female x 1/2" NPSM



A Maximum of (8) ChekPoint Faucets can be Hardwire Connected and Powered by EC-HARDWIRE ChekPoint Hardwire AC Transformer. (Sold Separately)



Label for Flow Control Switch Settings is Located on Inside of Back Cover.

Flow Control Switches are Located Inside Module Housing in Black Box Next to Battery Compartment.  
\*Switches are Set to DEFAULT Position:  
- Auto Time Out = 15 Seconds  
- Shut Off Delay = 1 Second  
- Auto Flush = OFF

Remove (4) Screws and Back Cover to Access Switches.

**\*Available Water Flow Control Selections:**

- Auto Time Out: 15 sec, 30 sec, 45 sec, 60 sec, 3 min, 20 min
- Shut Off Delay: 1 sec, 10 sec, 15 sec, 30 sec
- Auto Flush (30 Seconds After Every 12 Inactive Hours): ON or OFF

**Product Specifications:**

Chrome Plated Brass Electronic Faucet: Deck Mount Rigid Nozzle w/ Ball Joint Swivel, 1.42 GPM Spray Head, AC/DC Control Module w/ Internal Flow Control Setting Switches, Temperature Control Mixing Valve, 18" Flexible Stainless Steel Supply Hoses

**Product Compliance:**

ASME A112.18.1 / CSA B125.1  
NSF 61 Exempt (Non-Potable)  
ANSI A117.1 (ADA)  
UL 1951