



# T&S BRASS AND BRONZE WORKS, INC.

2 Saddleback Cove / P.O. Box 1088  
Travelers Rest, SC 29690

Model No.

**B-0284**

Item No.

Travelers Rest, SC: 800-476-4103 • Simi Valley, CA: 800-423-0150 • Fax: 864-834-3518 • www.tsbrass.com

This Space for Architect/Engineer Approval

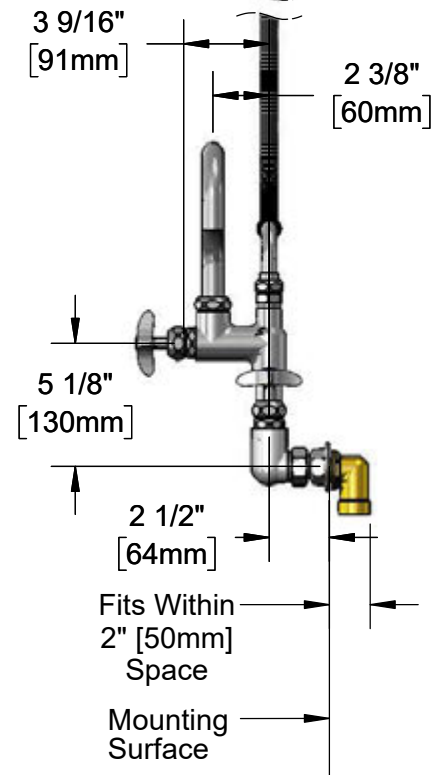
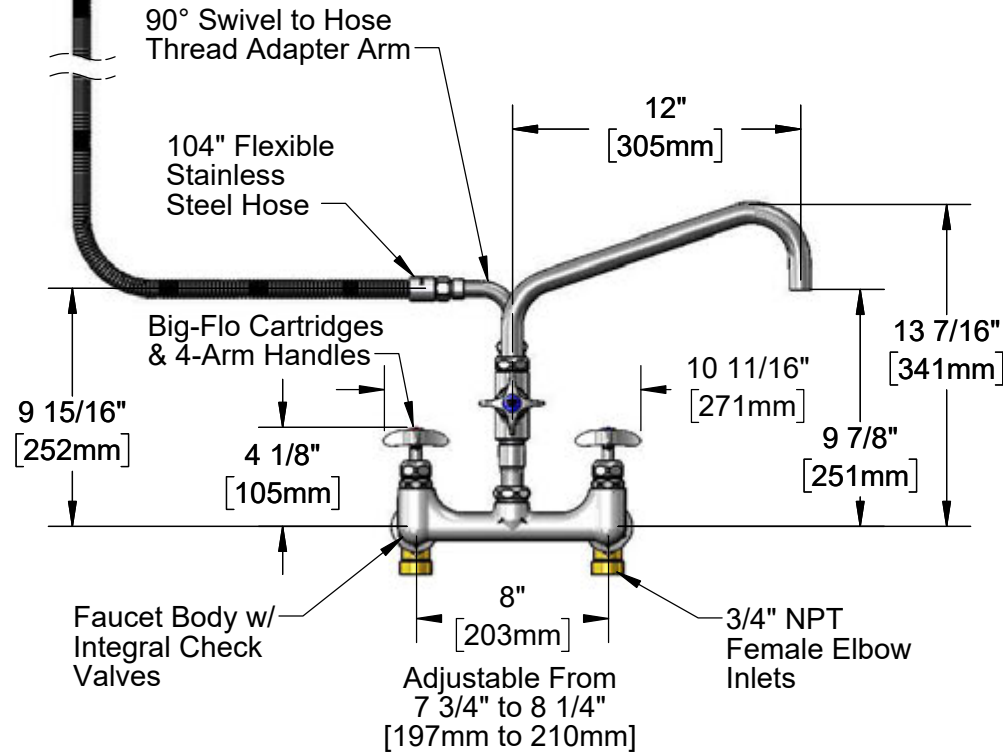
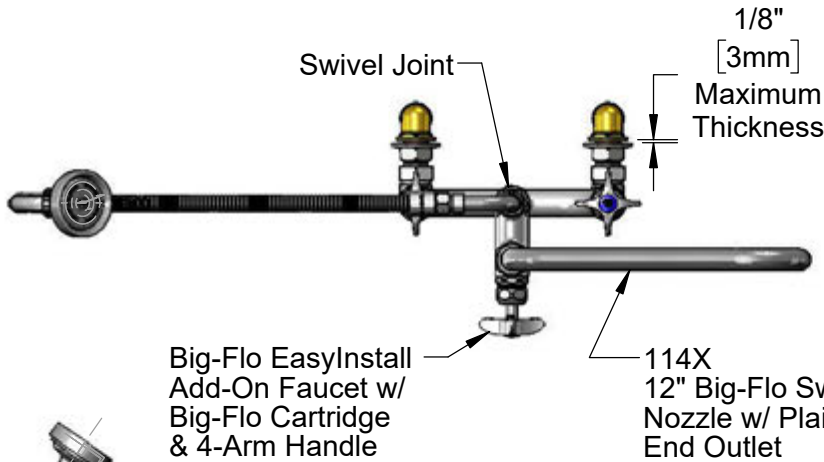
Job Name \_\_\_\_\_ Date \_\_\_\_\_

Model Specified \_\_\_\_\_ Quantity \_\_\_\_\_

Customer/Wholesaler \_\_\_\_\_

Contractor \_\_\_\_\_

Architect/Engineer \_\_\_\_\_



Rough-In Requirement:  
(2)  $\phi$  1 1/4" [32mm] Mounting Holes

**Product Specifications:**

8" Wall Mount Big-Flo Mixing Faucet, Big-Flo Cartridges, 4-Arm Handles, Big-Flo Add-On Faucet, 12" Big-Flo Swing Nozzle, Swivel Adapter Arm, 104" Flexible Stainless Steel Hose, 1.42 GPM Angle Spray Valve & 3/4" NPT Female Elbow Inlets

**Product Compliance:**

ASME A112.18.1 / CSA B125.1  
NSF 61 - Section 9  
NSF 372 (Low Lead Content)  
EPA 2005 (PRSV)



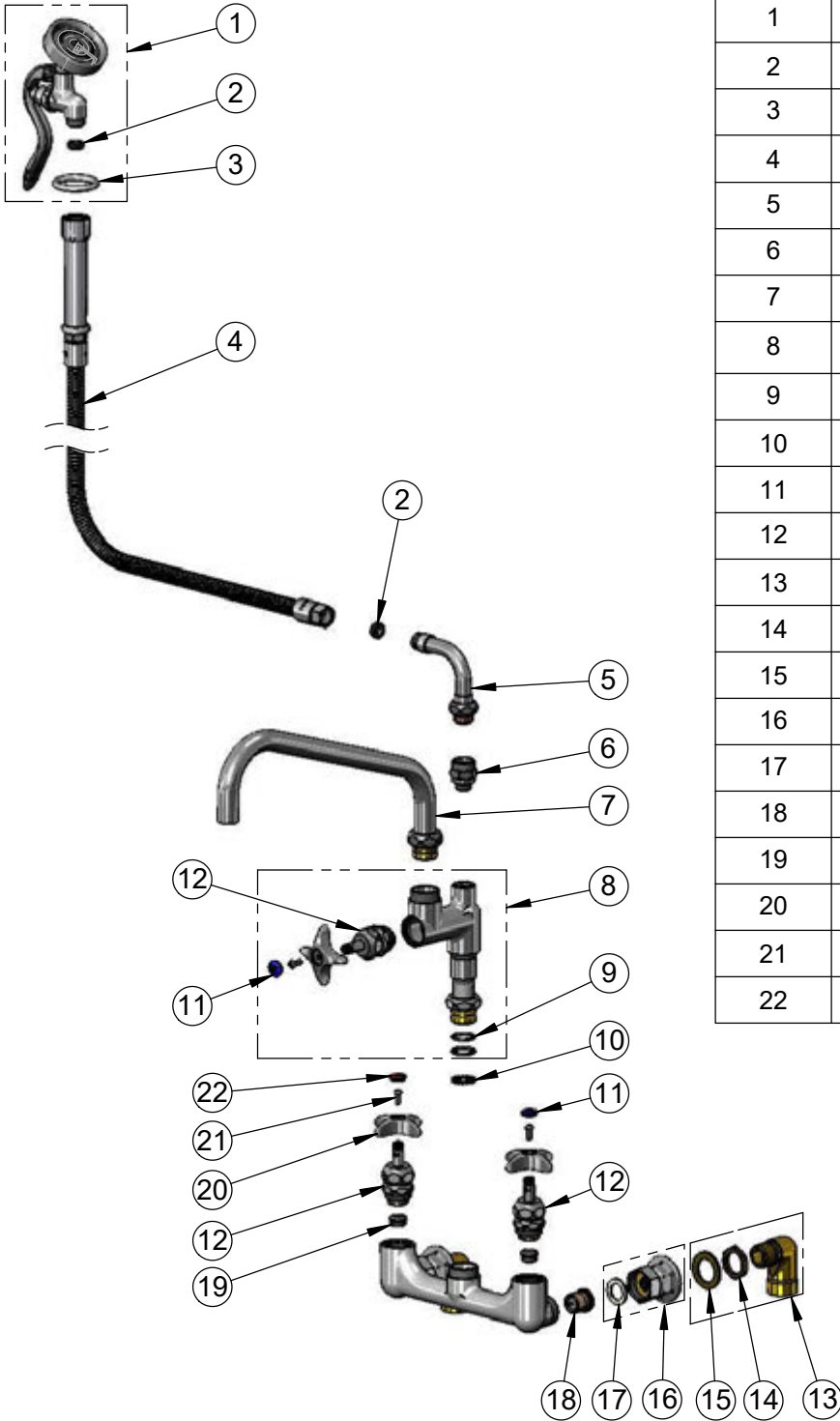
**T&S BRASS AND BRONZE WORKS, INC.**  
 2 Saddleback Cove / P.O. Box 1088  
 Travelers Rest, SC 29690

Model No.  
**B-0284**

Item No.

Travelers Rest, SC: 800-476-4103 • Simi Valley, CA: 800-423-0150 • Fax: 864-834-3518 • www.tsbrass.com

ITEM NO.	SALES NO.	DESCRIPTION
1	B-0107-035	1.42 GPM Angled Spray Valve
2	010476-45	#27 Washer
3	000907-45	Spray Valve Hold Down Ring
4	B-0104-H	104" Flexible Stainless Steel Hose w/ Handle
5	034A	Swivel Adapter Arm
6	B-0412	Rigid to Swivel Adapter
7	114X	12" Big-Flo Swing Nozzle
8	B-0286-LNEZ	Big-Flo EasyInstall Add-On Faucet, Less Nozzle
9	001068-45	O-ring
10	016807-45	Serrated Lock Washer
11	018506-19NS	Blue Button Index, Press-in
12	006482-40NS	Big-Flo Cartridge, RTC
13	00LL	3/4" Short Elbow Inlet
14	000971-45	Lock Nut, 3/4" NPSM
15	001005-45	Washer
16	00BB	3/4" NPT Female Eccentric Flange
17	001019-45	Coupling Nut Washer
18	016902-20	Big-Flo Check Valve
19	000764-20	Seat, Big-Flo
20	002521-45NS	4-Arm Handle (New Style)
21	000925-45	Lab Handle Screw
22	001193-19NS	Red Button Index, Press-in



**Product Specifications:**

8" Wall Mount Big-Flo Mixing Faucet, Big-Flo Cartridges, 4-Arm Handles, Big-Flo Add-On Faucet, 12" Big-Flo Swing Nozzle, Swivel Adapter Arm, 104" Flexible Stainless Steel Hose, 1.42 GPM Angle Spray Valve & 3/4" NPT Female Elbow Inlets

**Product Compliance:**

ASME A112.18.1 / CSA B125.1  
 NSF 61 - Section 9  
 NSF 372 (Low Lead Content)  
 EPA Act 2005 (PRSV)