



T&S BRASS AND BRONZE WORKS, INC.

2 Saddleback Cove / P.O. Box 1088
Travelers Rest, SC 29690

Model No.

EC-3130-XP-F15

Item No.

Travelers Rest, SC: 800-476-4103 • Simi Valley, CA: 800-423-0150 • Fax: 864-834-3518 • www.tsbrass.com



ADA Compliant



This Space for Architect/Engineer Approval

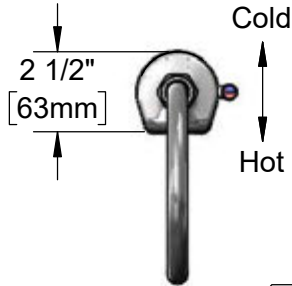
Job Name _____ Date _____

Model Specified _____ Quantity _____

Customer/Wholesaler _____

Contractor _____

Architect/Engineer _____



Internal Above Deck Electronics w/ Flow Control Setting Switches. Powered w/ 6 VDC Lithium Battery.

Removable Anti-Rotation Pin

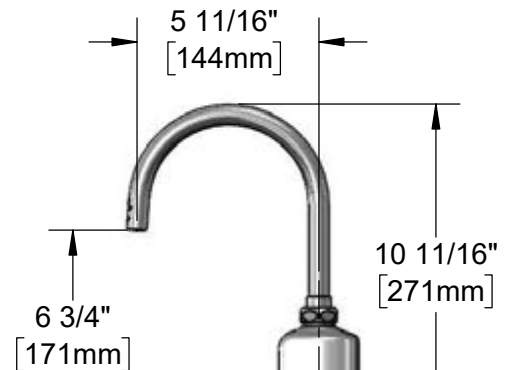
Plain End Gooseneck w/ 1.5 GPM Flow Regulator Swivel Piece. Rigid Conversion Requires 014200-45 Lock Washer (Included)

Temperature Mixing Handle w/ Color Coded Index (Optional Plug Included to Replace Handle When Temperature is Preset)

Mounting Surface

13/16" [21mm]

1 1/2" [38mm] Maximum Thickness



Shown w/ Optional Plug Installed When Water Temperature is Preset (Included)

19" [483mm] Flexible Stainless Steel Supply Hoses

1/2" NPSM Swivel Ends w/ Filter Washers

Check Valve Adapters w/ 3/8" Compression (9/16-24 UN) Inlets

Optional 100-240 VAC Adapter w/ 71" [1800mm] Power Cord

Rough-In Requirement:

Ø 1 1/4" [32mm] Mounting Hole

Ø 3/16" [5mm] Anti-Rotation Pin Hole (Optional)

Product Specifications:

Chrome Plated Brass Above Deck Electronics Faucet, Single Hole Deck Mount, Plain End Swivel/Rigid Gooseneck w/ 1.5 GPM Flow Regulator, Point-of-Use Temp. Control, Battery or AC Adapter Powered, 19" Flexible Stainless Steel Supply Hoses & 3/8" Compression Inlets

Product Compliance:

ASME A112.18.1 / CSA B125.1
NSF 61 - Section 9
NSF 372 (Low Lead Content)
ANSI A117.1 (ADA)
UL 1951



T&S BRASS AND BRONZE WORKS, INC.

2 Saddleback Cove / P.O. Box 1088
Travelers Rest, SC 29690

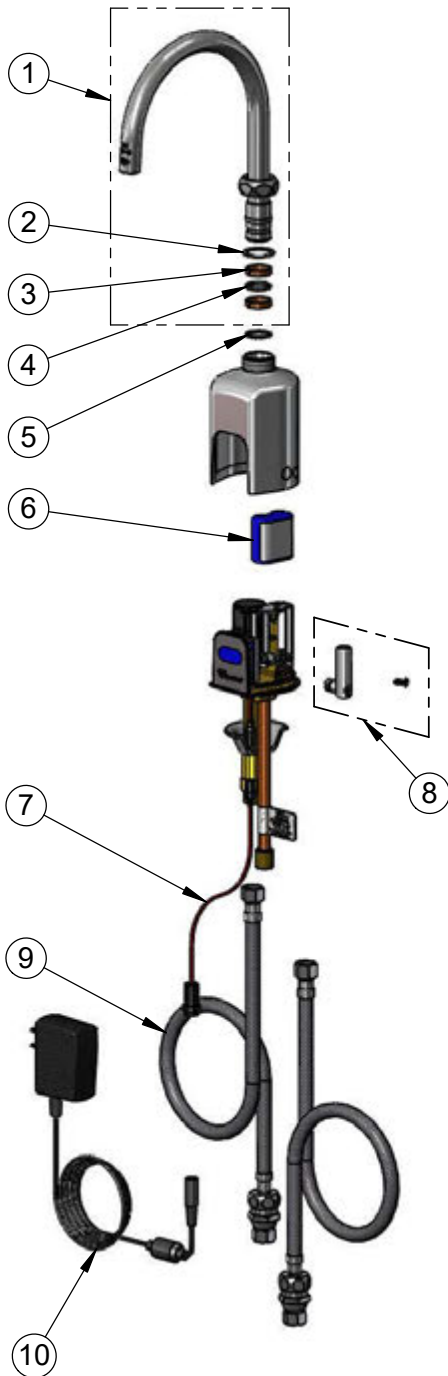
Model No.


EC-3130-XP-F15


Item No.

Travelers Rest, SC: 800-476-4103 • Simi Valley, CA: 800-423-0150 • Fax: 864-834-3518 • www.tsbrass.com

| ITEM NO. | SALES NO. | DESCRIPTION |
|----------|---------------|--|
| 1 | 133XP-ADE-F15 | Plain End Gooseneck w/ 1.5 GPM Flow Regulator Swivel Piece |
| 2 | 009538-45 | Swivel Washer |
| 3 | 011429-45 | Swivel Sleeves (2) |
| 4 | 001074-45 | O-Ring |
| 5 | 014200-45 | Star Washer, Anti-Rotation |
| 6 | 019087-45 | 6VDC Lithium Battery, CR-P2 |
| 7 | 019088-45 | Auxiliary Power Connector Cable |
| 8 | 019082-45 | Lever Asm & Body Screw Kit w/ L-Key |
| 9 | 018544-45 | 19" Flexible Stainless Steel Hose w/ Check Valve Adapter |
| 10 | 5EF-0002 | AC Transformer |
| 11 | 019086-45 | Body Plug, Pre-Set Temperature |



 A maximum of (8) ChekPoint faucets can be powered by EC-HARDWIRE ChekPoint Hardwire AC Transformer when connected using EC-ADEWIRE cables. (Both sold separately)

 (11) Optional Plug Replaces Lever Handle When Pre-setting Temperature (Installs from Inside of Body)

 018543-45 Torx T-20 VR L-Key

Flow Control Switches are Located Behind the Sensor.
Remove Battery to Access Switches.

* Switches are set to DEFAULT position:

- Auto Time Out = 15 seconds
- Shut Off Delay = 1 second
- Auto Flush = OFF

* Available Water Flow Control Selections:

- Auto Time Out: 15 sec, 30 sec, 45 sec, 60 sec, 3 min, 20 min
- Shut Off Delay: 1 sec, 10 sec, 15 sec, 30 sec
- Auto Flush (30 Seconds After Every 12 Inactive Hours): ON or OFF

Product Specifications:

Chrome Plated Brass Above Deck Electronics Faucet, Single Hole Deck Mount, Plain End Swivel/Rigid Gooseneck w/ 1.5 GPM Flow Regulator, Point-of-Use Temp. Control, Battery or AC Adapter Powered, 19" Flexible Stainless Steel Supply Hoses & 3/8" Compression Inlets

Product Compliance:

ASME A112.18.1 / CSA B125.1
NSF 61 - Section 9
NSF 372 (Low Lead Content)
ANSI A117.1 (ADA)
UL 1951