



# T&S BRASS AND BRONZE WORKS, INC.

2 Saddleback Cove / P.O. Box 1088  
Travelers Rest, SC 29690

Model No.

**B-0490-01**

Item No.

Travelers Rest, SC: 800-476-4103 • Simi Valley, CA: 800-423-0150 • Fax: 864-834-3518 • www.tsbrass.com



**ADA Compliant**

This Space for Architect/Engineer Approval

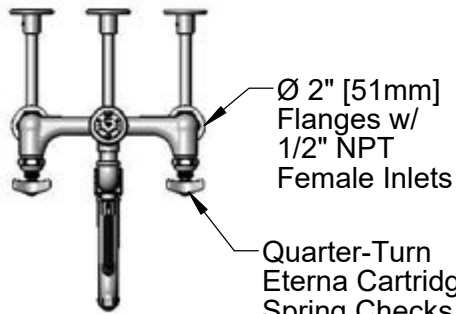
Job Name \_\_\_\_\_ Date \_\_\_\_\_

Model Specified \_\_\_\_\_ Quantity \_\_\_\_\_

Customer/Wholesaler \_\_\_\_\_

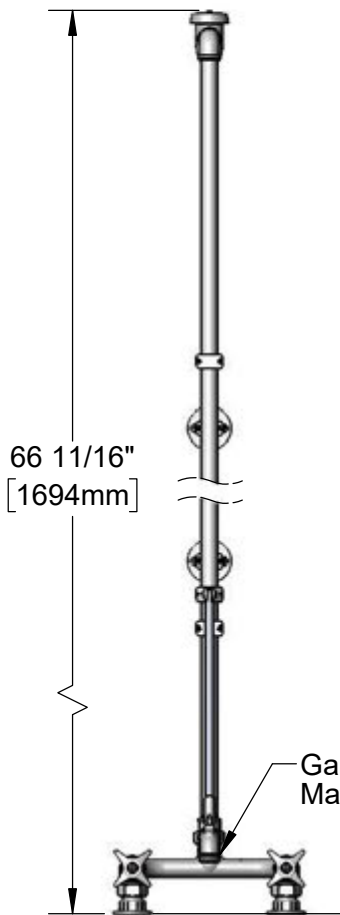
Contractor \_\_\_\_\_

Architect/Engineer \_\_\_\_\_



Ø 2" [51mm]  
Flanges w/  
1/2" NPT  
Female Inlets

Quarter-Turn  
Eterna Cartridge w/  
Spring Checks &  
4-Arm Handles w/  
Color Coded Indexes



66 11/16"  
[1694mm]

Garden Hose  
Male Thread

Mounting Surface

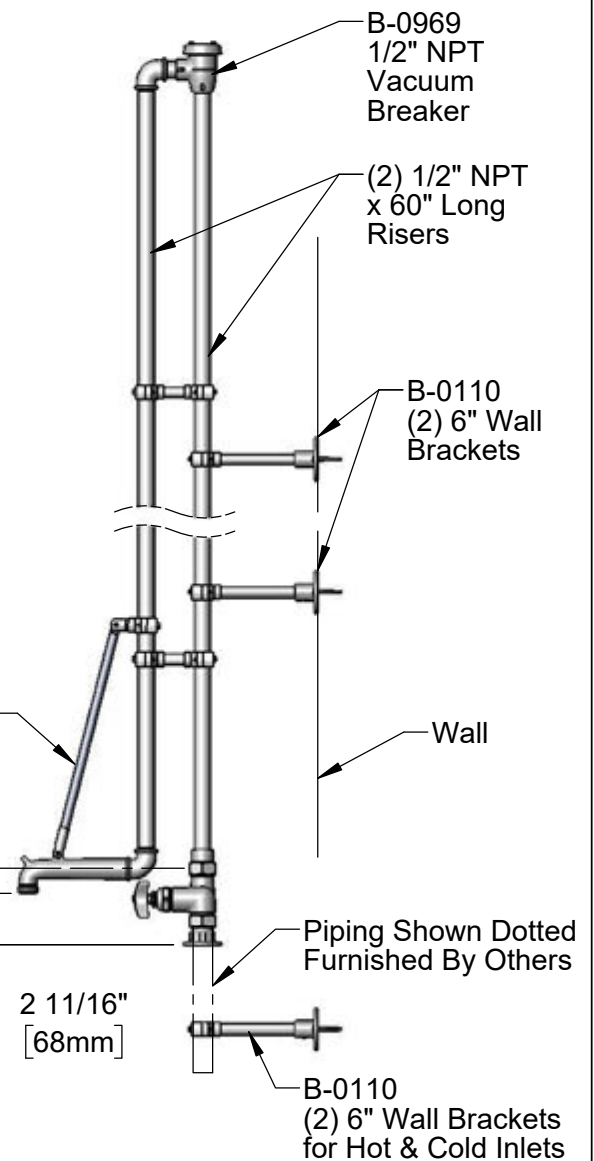
8"  
[203mm]

Adjustable From  
7 3/4" to 8 1/4"  
[197mm to 210mm]



Nozzle  
Support  
Bracket

4"  
[101mm]



B-0969  
1/2" NPT  
Vacuum  
Breaker

(2) 1/2" NPT  
x 60" Long  
Risers

B-0110  
(2) 6" Wall  
Brackets

Wall

Piping Shown Dotted  
Furnished By Others

B-0110  
(2) 6" Wall Brackets  
for Hot & Cold Inlets

### Product Specifications:

8" Deck Mount Service Sink Mixing Faucet w/ Elevated Vacuum Breaker,  
6" Wall Brackets, Braced Nozzle & 4-Arm Handles

### Product Compliance:

ASME A112.18.1 / CSA B125.1  
NSF 61 - Section 9  
NSF 372 (Low Lead Content)  
ASSE 1001 (VB)



# T&S BRASS AND BRONZE WORKS, INC.

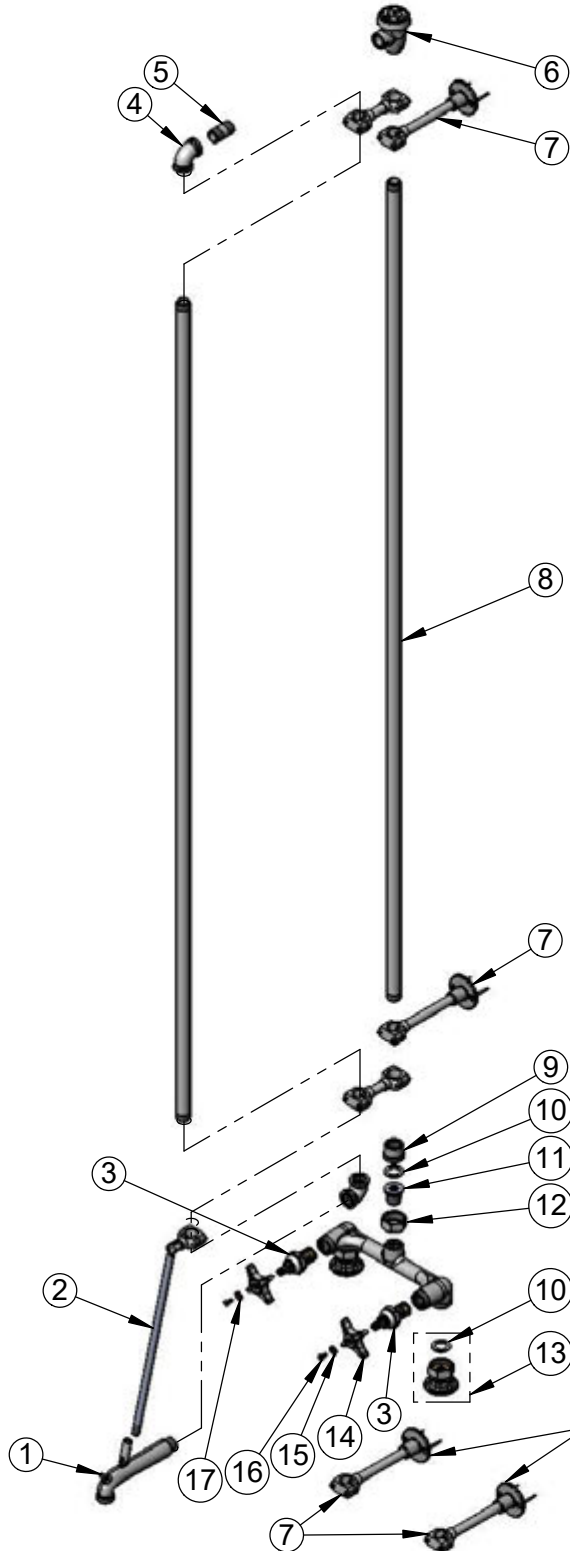
2 Saddleback Cove / P.O. Box 1088  
Travelers Rest, SC 29690

Model No.

**B-0490-01**

Item No.

Travelers Rest, SC: 800-476-4103 • Simi Valley, CA: 800-423-0150 • Fax: 864-834-3518 • www.tsbrass.com



ITEM NO.	SALES NO.	DESCRIPTION
1	009545-40	Nozzle w/ Upper Clevis (Chrome Plated)
2	009541-40	Nozzle Upper Support
3	002712-40	Quarter-Turn Eterna Cartridge, RTC w/ Spring Checks
4	001357-40	1/2" NPT Cast Round Elbow
5	001509-40	1/2" NPT x 1 1/2" Long Nipple
6	B-0969	1/2" NPT Vacuum Breaker
7	B-0110	6" Wall Bracket
8	001678-40	1/2" NPT x 60" Long Nipple
9	000870-40	Union, Male Half (Plated)
10	001019-45	Coupling Nut Washer
11	000688-25	Insert, 1/2 NPT Male Union
12	000721-25	Flange Coupling Nut
13	00AA	1/2" NPT Female Inlet Flange
14	002521-45	4-Arm Handle
15	001660-45	Blue Index-CW
16	000922-45	Lever Handle Screw
17	001661-45	Red Index-HW

**Product Specifications:**

8" Deck Mount Service Sink Mixing Faucet w/ Elevated Vacuum Breaker, 6" Wall Brackets, Braced Nozzle & 4-Arm Handles

**Product Compliance:**

ASME A112.18.1 / CSA B125.1  
NSF 61 - Section 9  
NSF 372 (Low Lead Content)  
ASSE 1001 (VB)