



T&S BRASS AND BRONZE WORKS, INC.

2 Saddleback Cove / P.O. Box 1088
Travelers Rest, SC 29690

Model No.

B-0669-CR-RGH

Item No.

Travelers Rest, SC: 800-476-4103 • Simi Valley, CA: 800-423-0150 • Fax: 864-834-3518 • www.tsbrass.com



ADA Compliant

This Space for Architect/Engineer Approval

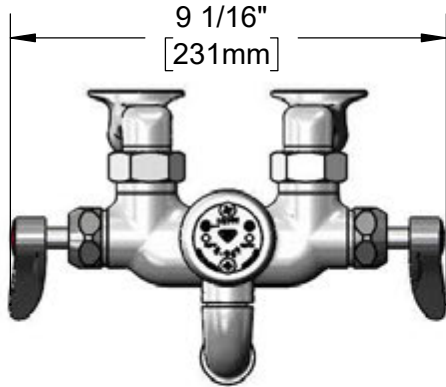
Job Name _____ Date _____

Model Specified _____ Quantity _____

Customer/Wholesaler _____

Contractor _____

Architect/Engineer _____

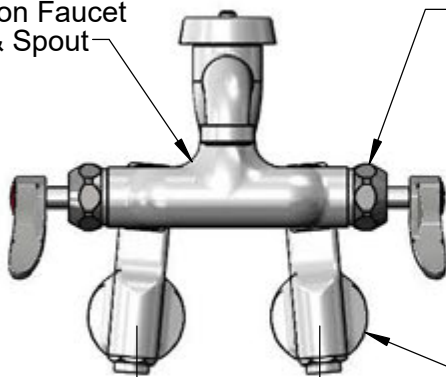


B-0969
1/2" NPT Atmospheric
Vacuum Breaker

3/4" Garden
Hose Male Outlet

Rough Chrome
Finish on Faucet
Body & Spout

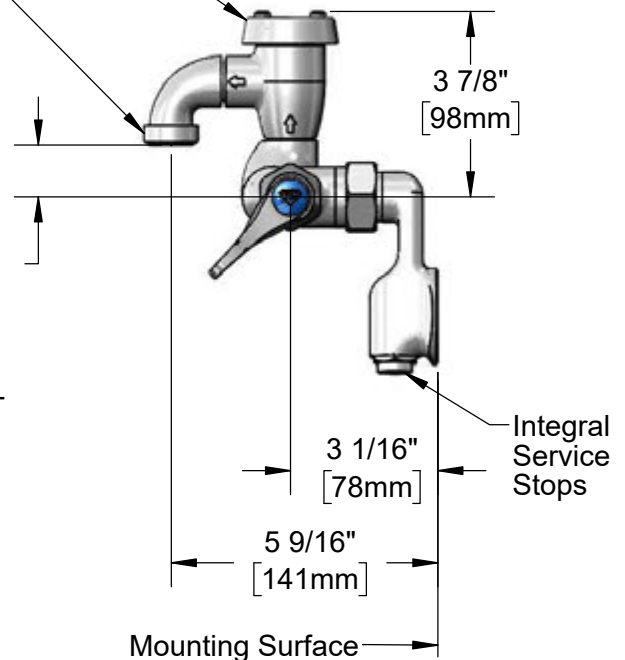
Quarter-Turn
Cerama
Cartridges w/
Check Valves &
Lever Handles w/
Color Coded Indexes



Adjustable
from
2 1/4" to 8 1/4"
[57mm to 210mm]
Below or Above
Centerline.

Ø 2" [51mm] Wall
Flanges w/ 1/2" NPT
Female Inlets

1 1/16"
[27mm]



Integral
Service
Stops

Mounting Surface

Product Specifications:

Adjustable Wall Mount Rough Chrome Service Sink, Quarter-Turn Cerama Cartridges w/ Check Valves, Short Spout w/ 3/4" Garden Hose Outlet, Lever Handles & 1/2" Female Adjustable Arm Inlet Flanges w/ Integral Service Stops

Product Compliance:

ASME A112.18.1 / CSA B125.1
NSF 61 - Section 9
NSF 372 (Low Lead Content)
ANSI A117.1 (ADA)
ASSE 1001 (VB)



T&S BRASS AND BRONZE WORKS, INC.

2 Saddleback Cove / P.O. Box 1088
Travelers Rest, SC 29690

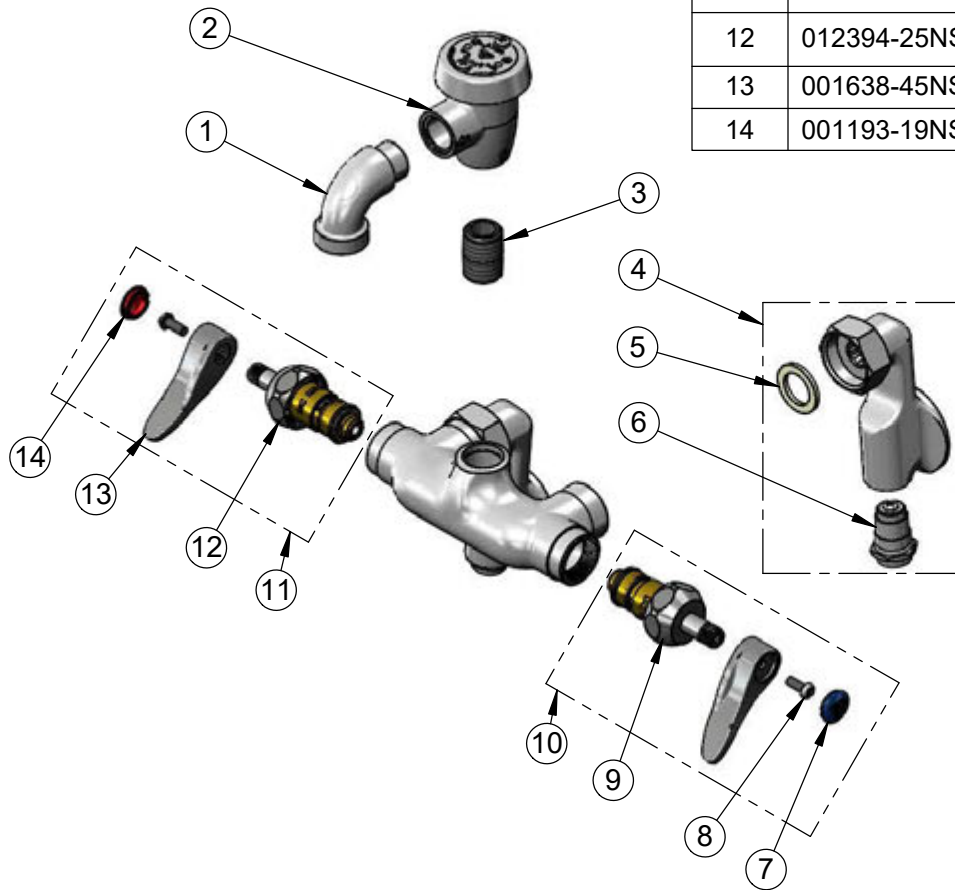
Model No.

B-0669-CR-RGH

Item No.

Travelers Rest, SC: 800-476-4103 • Simi Valley, CA: 800-423-0150 • Fax: 864-834-3518 • www.tsbrass.com

ITEM NO.	SALES NO.	DESCRIPTION
1	001618-25	Spout, Short
2	B-0969	1/2" NPT Vacuum Breaker
3	002534-25	Close Nipple, 1/2" NPT
4	00XX-RGH	1/2" NPT Female Adjustable Arm Inlets w/ Integral Stops, Rough Chrome
5	001019-45	Coupling Nut Washer
6	163A	Built-In Service Stop
7	018506-19NS	Blue Button Index, Press-in
8	000925-45	Lab Handle Screw
9	012395-25NS	Quarter-Turn Cerama Cartridge w/ Check Valve, LTC
10	012447-25NS	Quarter-Turn Cerama Cartridge w/ Check Valve, Handle, Blue Index & Screw, LTC
11	012446-25NS	Quarter-Turn Cerama Cartridge w/ Check Valve, Handle, Red Index & Screw, RTC
12	012394-25NS	Quarter-Turn Cerama Cartridge w/ Check Valve, RTC
13	001638-45NS	Lever Handle (New Style)
14	001193-19NS	Red Button Index, Press-in



Product Specifications:

Adjustable Wall Mount Rough Chrome Service Sink, Quarter-Turn Cerama Cartridges w/ Check Valves, Short Spout w/ 3/4" Garden Hose Outlet, Lever Handles & 1/2" Female Adjustable Arm Inlet Flanges w/ Integral Service Stops

Product Compliance:

ASME A112.18.1 / CSA B125.1
NSF 61 - Section 9
NSF 372 (Low Lead Content)
ANSI A117.1 (ADA)
ASSE 1001 (VB)