



# T&S BRASS AND BRONZE WORKS, INC.

2 Saddleback Cove / P.O. Box 1088  
Travelers Rest, SC 29690

Model No.

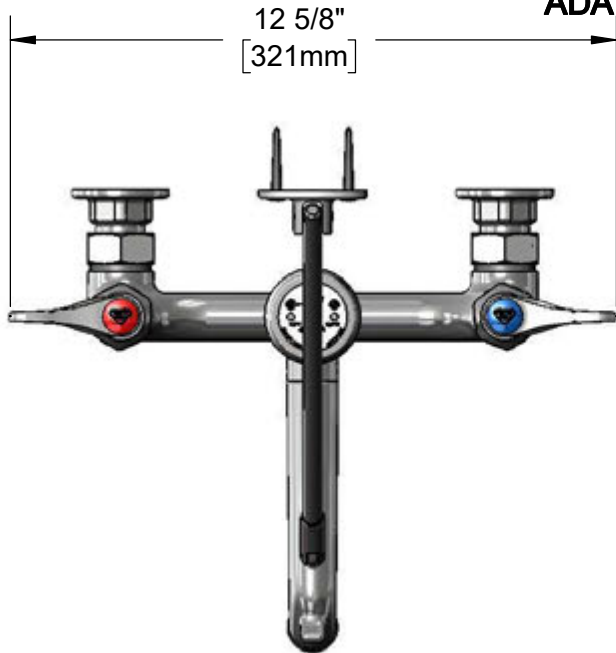
**B-0665-CRBSTRVR**

Item No.

Travelers Rest, SC: 800-476-4103 • Simi Valley, CA: 800-423-0150 • Fax: 864-834-3518 • www.tsbrass.com



**ADA Compliant**



This Space for Architect/Engineer Approval

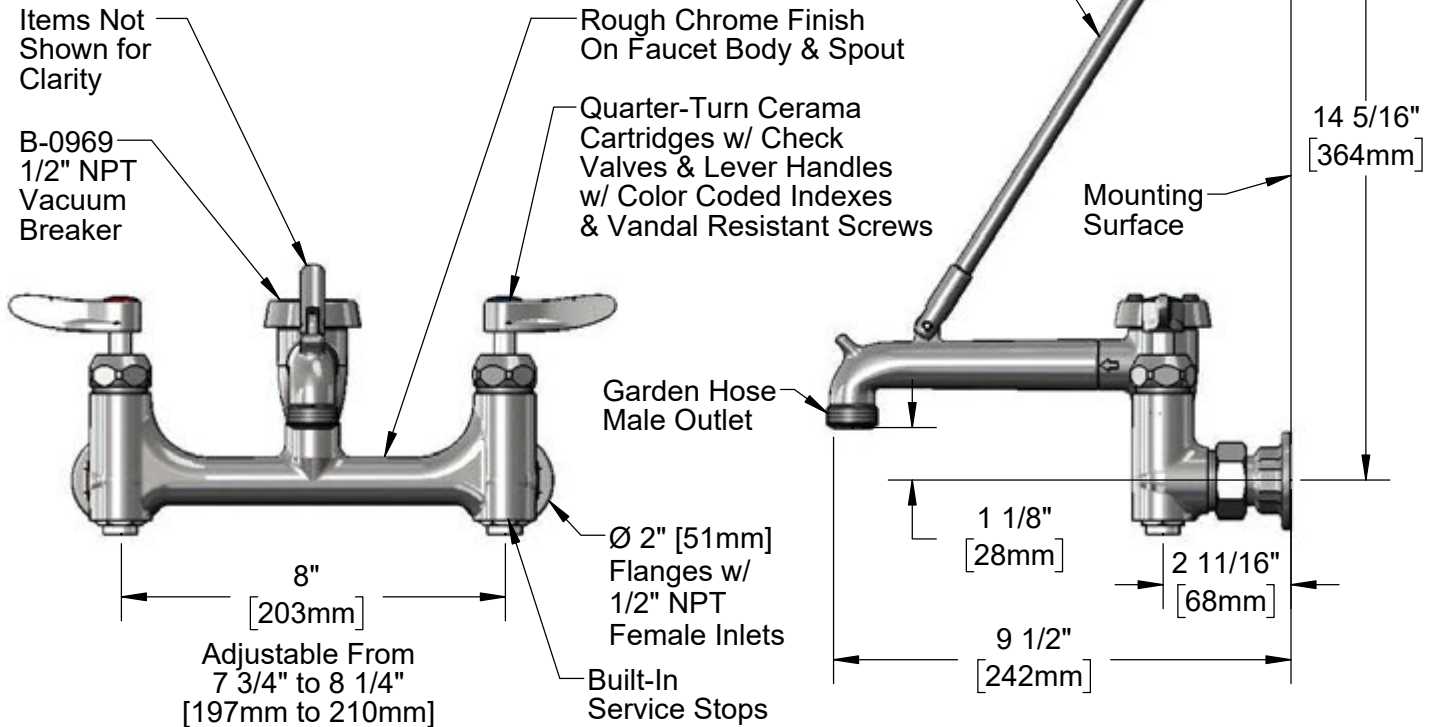
Job Name \_\_\_\_\_ Date \_\_\_\_\_

Model Specified \_\_\_\_\_ Quantity \_\_\_\_\_

Customer/Wholesaler \_\_\_\_\_

Contractor \_\_\_\_\_

Architect/Engineer \_\_\_\_\_



**Product Specifications:**

8" Wall Mount Service Sink Faucet, Quarter-Turn Cerama Cartridges w/ Check Valves, Lever Handles w/ Vandal Resistant Screws, Upper Support Rod, Built-In Service Stops, Garden Hose Male Outlet, Rough Chrome Finish, 1/2" NPT Vacuum Breaker & 1/2" NPT Female Inlets

**Product Compliance:**

ASME A112.18.1 / CSA B125.1  
NSF 61 - Section 9  
NSF 372 (Low Lead Content)  
ANSI A117.1 (ADA)  
ASSE 1001 (VB)



# T&S BRASS AND BRONZE WORKS, INC.

2 Saddleback Cove / P.O. Box 1088  
Travelers Rest, SC 29690

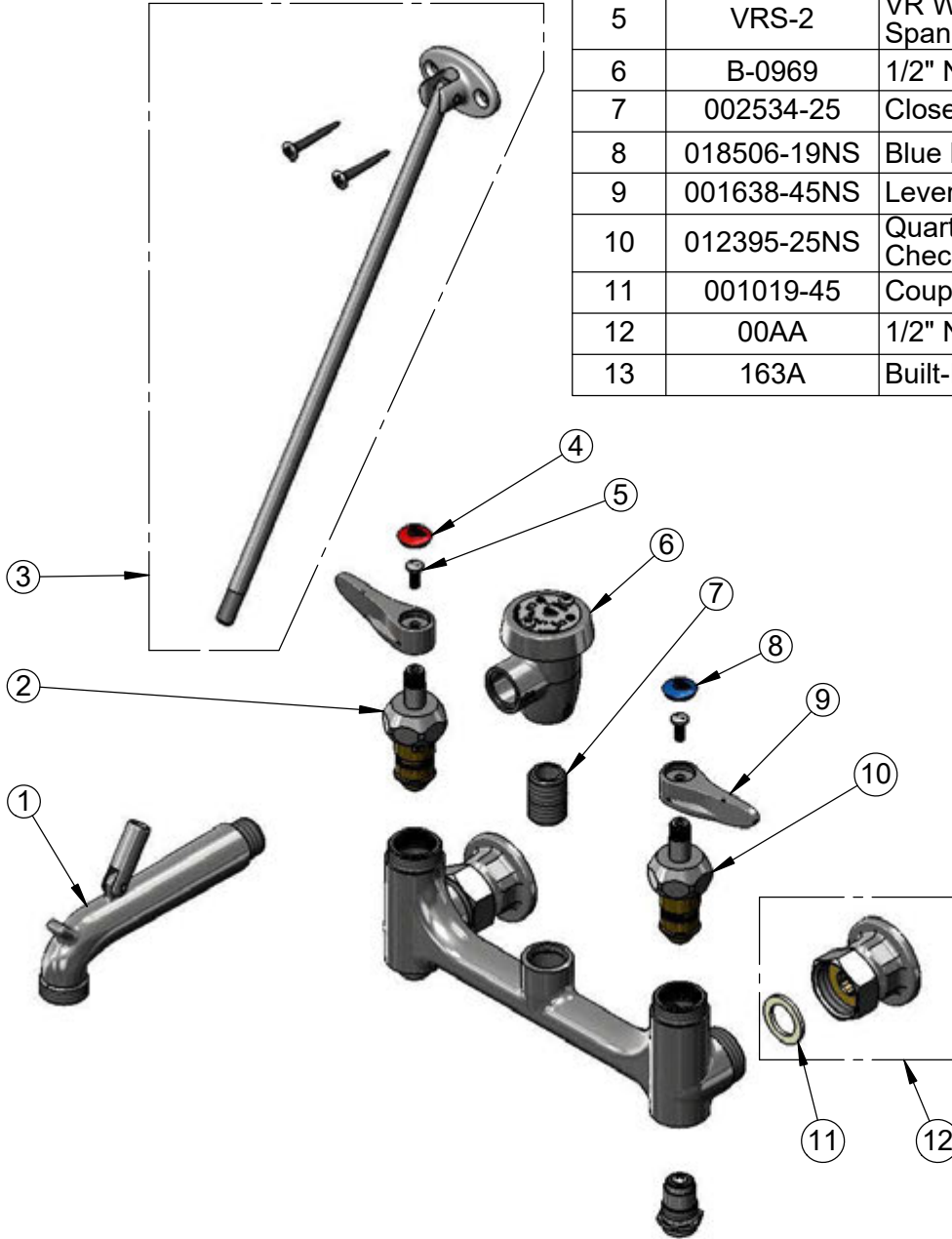
Model No.


**B-0665-CRBSTRVR**

Item No.

Travelers Rest, SC: 800-476-4103 • Simi Valley, CA: 800-423-0150 • Fax: 864-834-3518 • www.tsbrass.com

ITEM NO.	SALES NO.	DESCRIPTION
1	009545-25	Spout w/ Male Garden Hose Outlet & Upper Clevis - Rough Chrome
2	012394-25NS	Quarter-Turn Cerama Cartridge w/ Check Valve, RTC
3	009546-40	Upper Support Rod
4	001193-19NS	Red Button Index, Press-in
5	VRS-2	VR Wrist Action Handle Screw (2) w/ Spanner Bit
6	B-0969	1/2" NPT Vacuum Breaker
7	002534-25	Close Nipple, 1/2" NPT
8	018506-19NS	Blue Button Index, Press-in
9	001638-45NS	Lever Handle (New Style)
10	012395-25NS	Quarter-Turn Cerama Cartridge w/ Check Valve, LTC
11	001019-45	Coupling Nut Washer
12	00AA	1/2" NPT Female Eccentric Flange
13	163A	Built-In Service Stop



  
014075-45  
Vandal Resistant  
#10 Spanner Bit

**Product Specifications:**

8" Wall Mount Service Sink Faucet, Quarter-Turn Cerama Cartridges w/ Check Valves, Lever Handles w/ Vandal Resistant Screws, Upper Support Rod, Built-In Service Stops, Garden Hose Male Outlet, Rough Chrome Finish, 1/2" NPT Vacuum Breaker & 1/2" NPT Female Inlets

**Product Compliance:**

ASME A112.18.1 / CSA B125.1  
NSF 61 - Section 9  
NSF 372 (Low Lead Content)  
ANSI A117.1 (ADA)  
ASSE 1001 (VB)