



**T&S BRASS AND BRONZE WORKS, INC.**

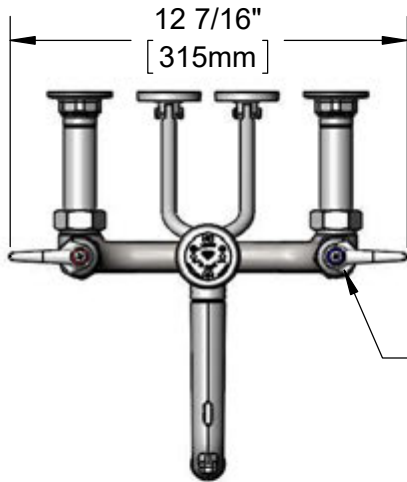
2 Saddleback Cove / P.O. Box 1088  
Travelers Rest, SC 29690

Model No.

**B-0655-POL**

Item No.

Travelers Rest, SC: 800-476-4103 • Simi Valley, CA: 800-423-0150 • Fax: 864-834-3518 • www.tsbrass.com



**ADA Compliant**

This Space for Architect/Engineer Approval

Job Name \_\_\_\_\_ Date \_\_\_\_\_

Model Specified \_\_\_\_\_ Quantity \_\_\_\_\_

Customer/Wholesaler \_\_\_\_\_

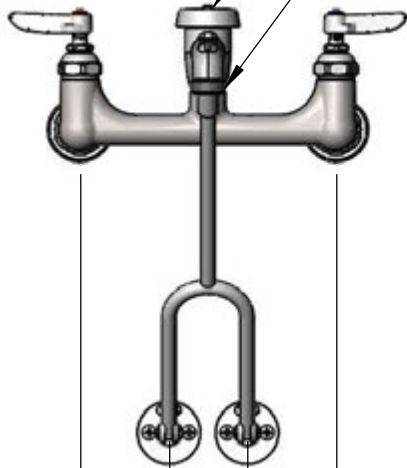
Contractor \_\_\_\_\_

Architect/Engineer \_\_\_\_\_

Quarter-Turn Eterna  
Cartridges w/ Spring  
Checks & Lever Handles  
w/ Color Coded Indexes



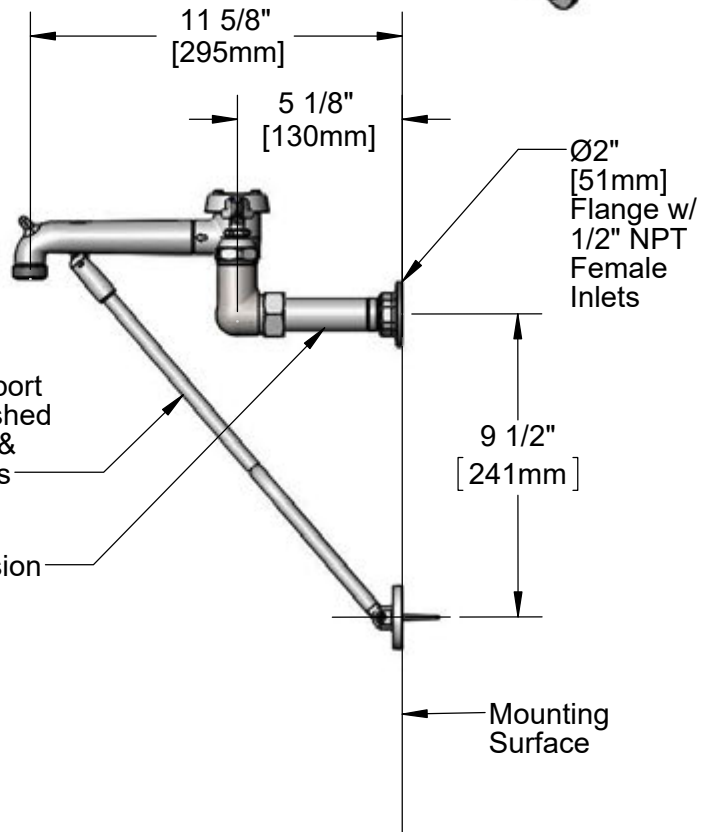
B-0969  
1/2"NPT  
Vacuum Breaker  
Garden Hose  
Male Outlet



2 7/16"  
[62mm]

8"  
[203mm]

Adjustable from  
7 3/4" to 8 1/4"  
[197mm to 210mm]



Lower Wall Support  
Assembly Furnished  
w/ Wall Bracket &  
Mounting Screws

Extension

Ø2"  
[51mm]  
Flange w/  
1/2" NPT  
Female  
Inlets

9 1/2"  
[241mm]

Mounting  
Surface

**Product Specifications:**

8" Wall Support Service Sink, Polished Chrome Finish, 1/2" NPT Vacuum Breaker, Lever Handles, Lower Support Rod, 1/2" NPT Extended Inlets & Garden Hose Outlet

**Product Compliance:**

ASME A112.18.1 / CSA B125.1  
NSF 61 - Section 9  
NSF 372 (Low Lead Content)  
ASSE 1001 (VB)



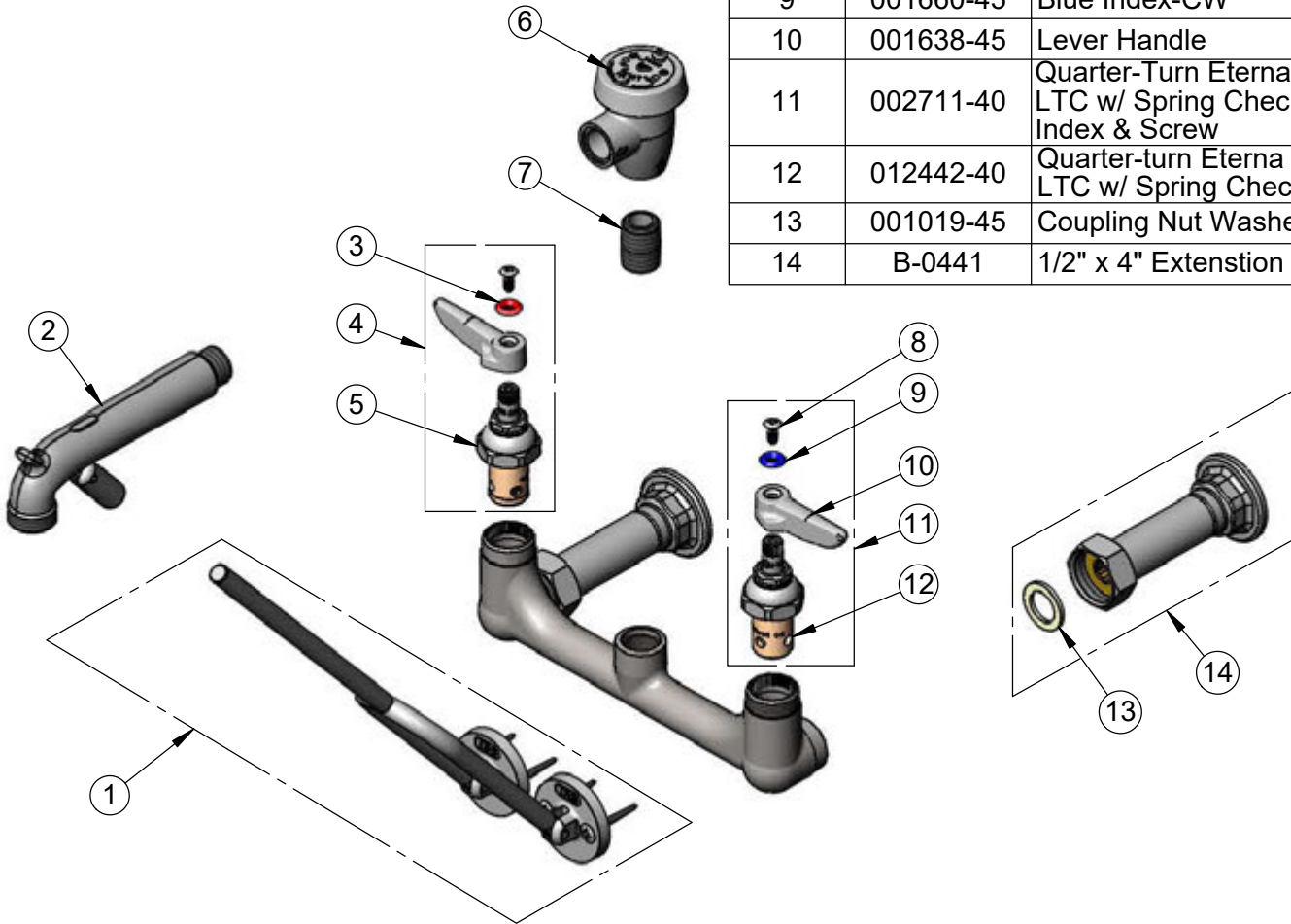
**T&S BRASS AND BRONZE WORKS, INC.**  
 2 Saddleback Cove / P.O. Box 1088  
 Travelers Rest, SC 29690

Model No.  
**B-0655-POL**

Item No.

Travelers Rest, SC: 800-476-4103 • Simi Valley, CA: 800-423-0150 • Fax: 864-834-3518 • www.tsbrass.com

ITEM NO.	SALES NO.	DESCRIPTION
1	009616-40	Lower Wall Support Assembly w/ Mounting Screws
2	016450-40	Spout Assembly Polish Chrome w/ Bottom Support Clevis
3	001661-45	Red Index-HW
4	002712-40	Quarter-Turn Eterna Cartridge, RTC w/ Spring Check, Handle, Index & Screw
5	012443-40	Quarter-Turn Eterna Cartridge, RTC w/ Spring Check
6	B-0969	1/2" NPT Vacuum Breaker
7	002534-25	Close Nipple, 1/2" NPT
8	000922-45	Lever Handle Screw
9	001660-45	Blue Index-CW
10	001638-45	Lever Handle
11	002711-40	Quarter-Turn Eterna Cartridge, LTC w/ Spring Check, Handle, Index & Screw
12	012442-40	Quarter-turn Eterna Cartridge, LTC w/ Spring Check
13	001019-45	Coupling Nut Washer
14	B-0441	1/2" x 4" Extension Flange Inlet



**Product Specifications:**  
 8" Wall Support Service Sink, Polished Chrome Finish, 1/2" NPT Vacuum Breaker, Lever Handles, Lower Support Rod, 1/2" NPT Extended Inlets & Garden Hose Outlet

**Product Compliance:**  
 ASME A112.18.1 / CSA B125.1  
 NSF 61 - Section 9  
 NSF 372 (Low Lead Content)  
 ASSE 1001 (VB)