



T&S BRASS AND BRONZE WORKS, INC.

2 Saddleback Cove / P.O. Box 1088
Travelers Rest, SC 29690

Model No.

B-0657-BST

Item No.

Travelers Rest, SC: 800-476-4103 • Simi Valley, CA: 800-423-0150 • Fax: 864-834-3518 • www.tsbrass.com

This Space for Architect/Engineer Approval

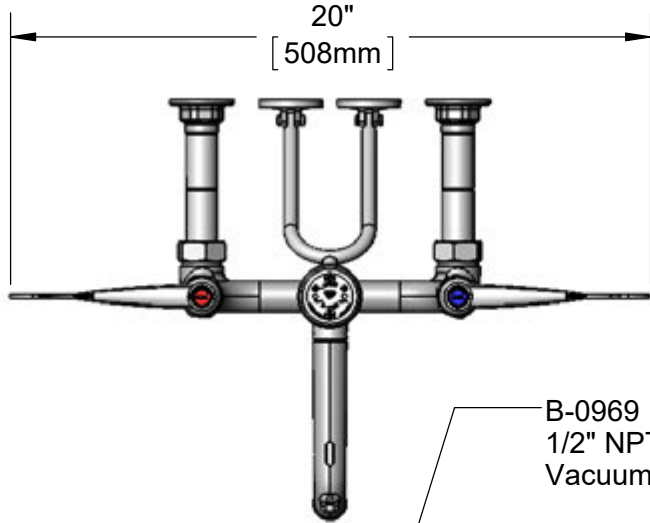
Job Name _____ Date _____

Model Specified _____ Quantity _____

Customer/Wholesaler _____

Contractor _____

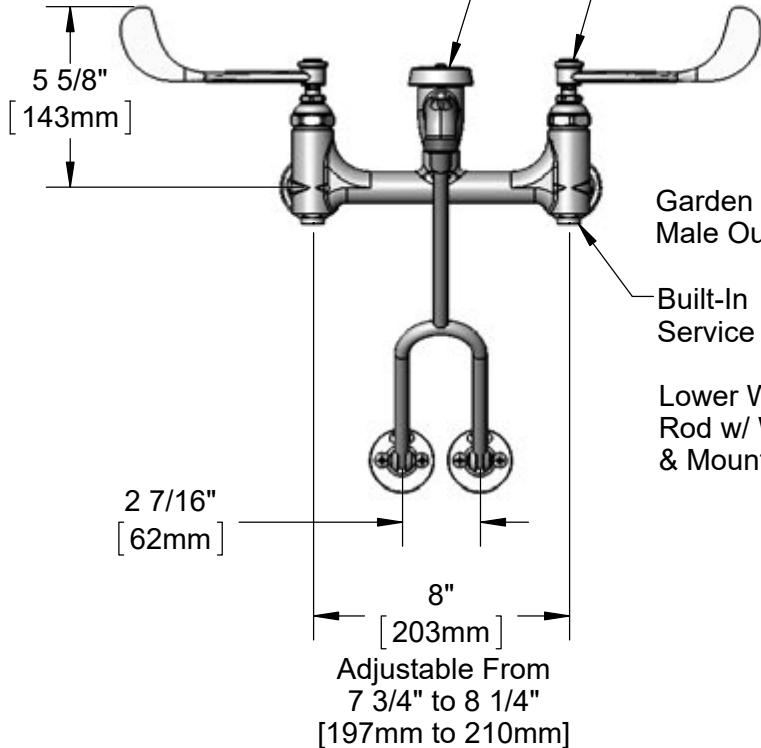
Architect/Engineer _____



B-0969
1/2" NPT
Vacuum Breaker

Quarter-Turn Eterna
Cartridges w/ Spring
Checks & Wrist Action
Handles w/ Color
Coded Indexes

Ø2" [51mm] Flanges w/
1/2" NPT Female Inlets



Garden Hose
Male Outlet

Built-In
Service Stops

Lower Wall Support
Rod w/ Wall Bracket
& Mounting Screws

Extensions

8 1/2"
[216mm]

6 3/16"
[157mm]

12 5/8"
[321mm]

Mounting Surface

Product Specifications:

8" Service Sink Faucet, Eterna Cartridges w/ Spring Checks, 6" Polished Chrome Plated Brass Wrist Action Handles, Lower Support Rod, Built-In Stops, Garden Hose Male Outlet, Polished Chrome Finish, 1/2" NPT Vacuum Breaker & 1/2" NPT Female Extended Inlets

Product Compliance:

ASME A112.18.1 / CSA B125.1
NSF 61-Section 9
NSF 372 (Low Lead Content)
ANSI A117.1 (ADA)
ASSE 1001 (VB)



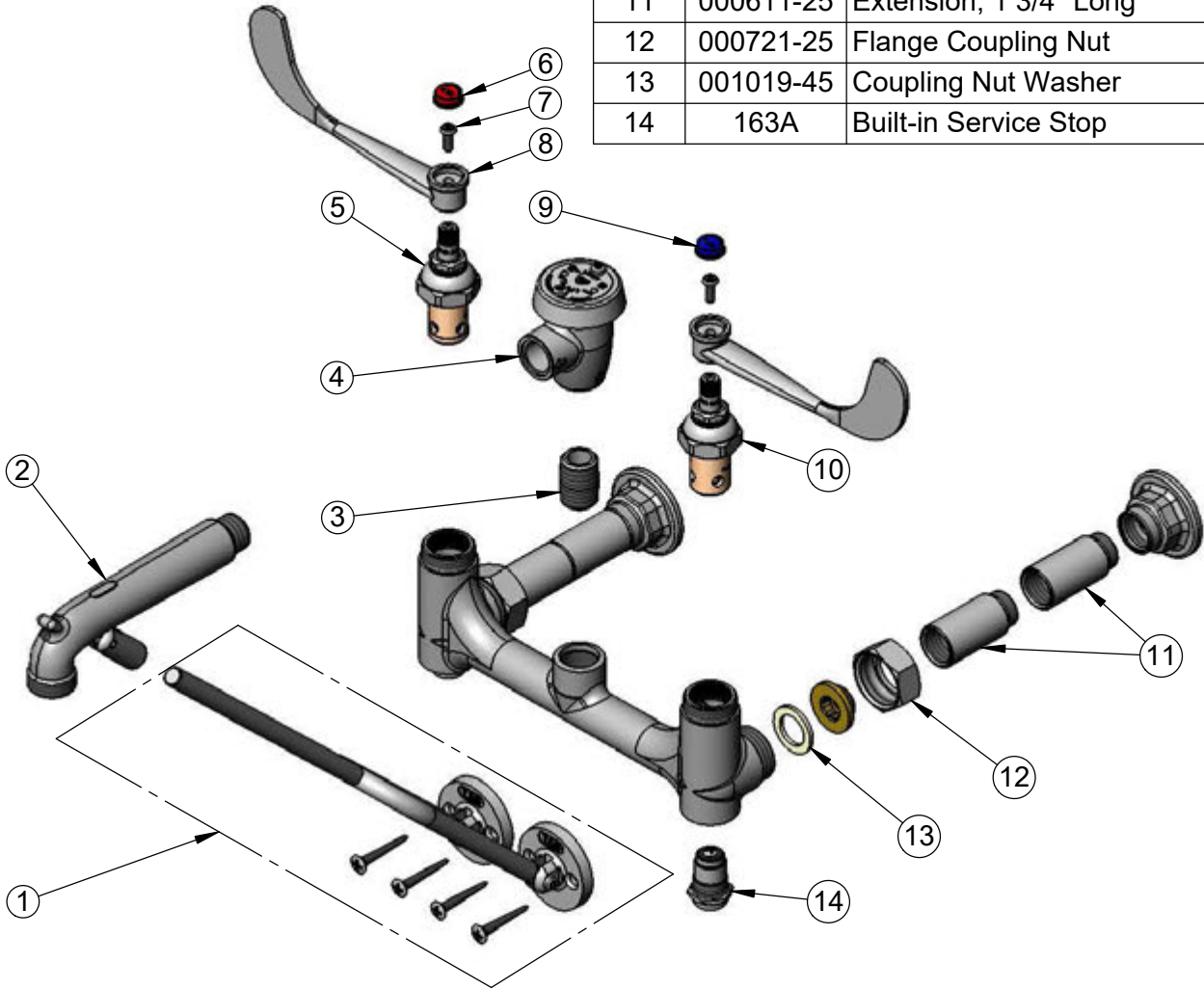
T&S BRASS AND BRONZE WORKS, INC.
 2 Saddleback Cove / P.O. Box 1088
 Travelers Rest, SC 29690

Model No.
B-0657-BST

Item No.

Travelers Rest, SC: 800-476-4103 • Simi Valley, CA: 800-423-0150 • Fax: 864-834-3518 • www.tsbrass.com

ITEM NO.	SALES NO.	DESCRIPTION
1	009616-40	Lower Support Rod w/ Mounting Screws
2	016450-40	Spout w/ Male GH Outlet & Lower Clevis - Polished Chrome
3	002534-25	Close Nipple, 1/2" NPT
4	B-0969	1/2" NPT Vacuum Breaker
5	012443-40	Eterna Cartridge, RTC w/ Spring Check
6	001194-45	Red Index - HW
7	000925-45	Lab Handle Screw
8	B-WH6	6" Wrist Action Handle
9	001686-45	Blue Index - CW
10	012442-40	Eterna Cartridge, LTC w/ Spring Check
11	000611-25	Extension, 1 3/4" Long
12	000721-25	Flange Coupling Nut
13	001019-45	Coupling Nut Washer
14	163A	Built-in Service Stop



Product Specifications:
 8" Service Sink Faucet, Eterna Cartridges w/ Spring Checks, 6" Polished Chrome Plated Brass Wrist Action Handles, Lower Support Rod, Built-In Stops, Garden Hose Male Outlet, Polished Chrome Finish, 1/2" NPT Vacuum Breaker & 1/2" NPT Female Extended Inlets

Product Compliance:
 ASME A112.18.1 / CSA B125.1
 NSF 61-Section 9
 NSF 372 (Low Lead Content)
 ANSI A117.1 (ADA)
 ASSE 1001 (VB)