

TMES-24 Equipment Stand

16-Gauge Stainless Steel Equipment Stand with Galvanized Undershelf and Legs

Ideal for the TM-105 Venture Flex Tortilla Machine, this equipment stand with brackets is specially designed to secure the Venture Flex in place, preventing it from moving or falling. It comes with casters, one set equipped with brakes to lock the stand in position.



Standard Features

- 2" edge lip to keep equipment from sliding off
- Height-adjustable bottom shelf for convenient storage
- Galvanized steel legs and undershelf
- 4 swivel casters 6" height

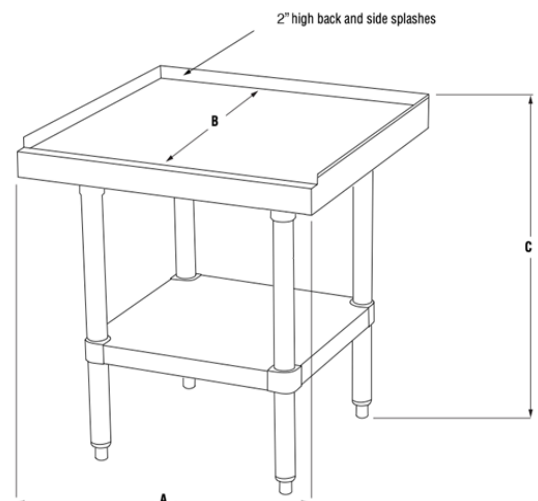
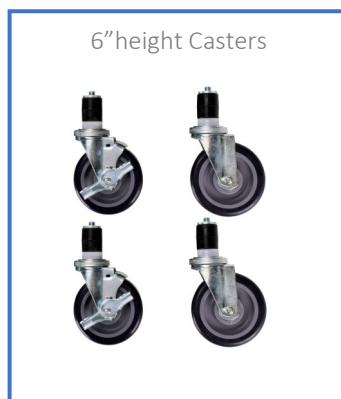
Model TMES-24

TMES-24 Equipment Stand – 24" x 24"

Security brackets



Swivel casters



Technical Data

Item	Capacity (lbs.)	Width (A)	Depth (B)	Height (C)	Weight (lbs.)
TMES-24	700	24"	24"	26"	35