

# Amana® Commercial

Project #: \_\_\_\_\_

Item #: \_\_\_\_\_



## Low Volume Amana® Commercial Microwave RMS Series

### Power Output

- 1000 watts of power
- Perfect replacement for inappropriate domestic ovens used in foodservice applications

### Available with Touch or Dial Controls

- **Touch controls:**
  - 20 programmable menu items simplifies cooking
  - 5 power levels and 4 cooking stages for cooking flexibility
  - Multiple quantity pad calculates the proper cooking times for multiple portions
- **Dial Controls:**
  - Timer automatically resets to zero if door is opened during heating
  - 6 minute digital timer lights up for "at-a-glance" monitoring
  - Full power only for simple operation

### Easy to Use

- See-through door and lighted interior for monitoring without opening the door
- 0.8 cubic foot (23 liter) capacity accommodates a 12" (305mm) platter, prepackaged foods and single servings

### Certified Oven for Commercial Applications

- Tested to higher standards for a commercial rating —required by most commercial insurance polices and health inspectors
- Interlock safety switch is tested to 4 times the standard of residential ovens
- Constructed to withstand the foodservice environment, multiple users and variable ambient temperatures
- Compared to a residential oven, this oven is more powerful for faster heating and better quality results
- Engineered for a simple, "self-service" operation

### Easy to Maintain

- Stainless steel exterior wrap, door, and oven interior for increased durability
- Sealed-in Borosilicate Glass shelf for easy cleaning

**Value Line | Low Volume**  
This category of microwave oven is ideal for...

#### Applications

- Convenience Stores
- Coffee shops
- Dessert stations
- Teachers/Staff lounge
- Nurses stations
- Vending

#### Boost heats and re-therms foods in seconds

- Slice of apple pie re-therms in 20 seconds
- 9 oz. (255g) cup of chili re-therms in 1:45

All ACP, Inc. commercial ovens are supported by our Culinary Center. Do not hesitate to contact us for any questions regarding food preparation, menu development and cooking times: [testkitchen@acpsolutions.com](mailto:testkitchen@acpsolutions.com)



### Service

All products are backed by the ACP, Inc.  
24/7 ComServ Support Center



### Warranty

Warranty Certificate for this product can be found on the ACP, Inc. website at [www.acpsolutions.com/warranty](http://www.acpsolutions.com/warranty)



### Safety and Sanitation

This ACP, Inc. product meets and exceeds safety and sanitation standards set for commercial microwave ovens by UL, ETL, NSF, CSA, and FDA.



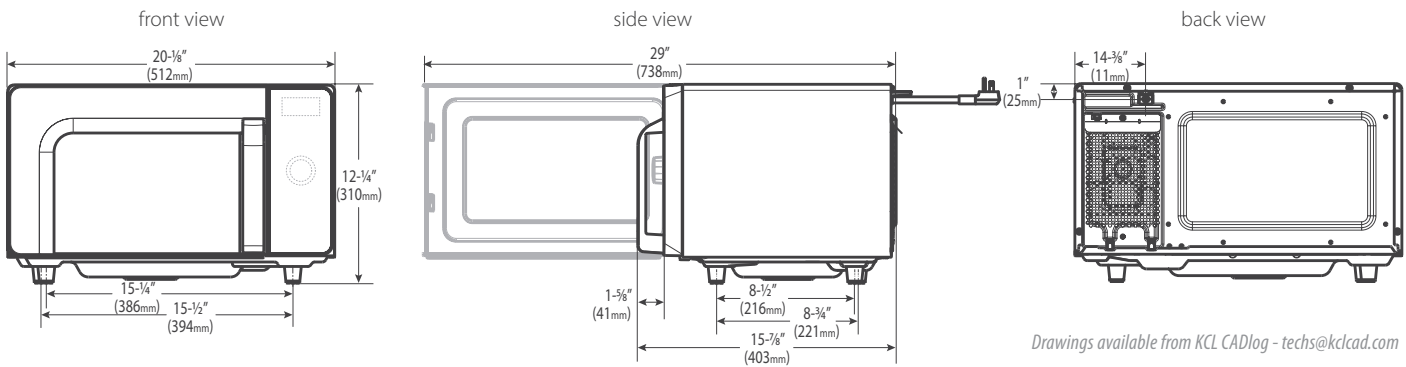
AIA File #:

Specification #:



© 2019 ACP, Inc.  
Cedar Rapids, Iowa 52404

# Amana® Commercial Microwave RMS Series | Low Volume



## Dimensions

<b>Exterior</b>	H 12 1/4" (310)	W 20 1/8" (512)	D† 15 7/8" (403)
<b>Cavity</b>	H 7 3/4" (197)	W 13" (330)	D 13" (330)
<b>Usable Cavity Space</b>	0.8 cubic ft. (23 liter)		
<b>Door Depth</b>	29" (738), 90°+ door open		
<b>Installation Clearances</b>	Top: 7" (177.8)	Sides: 1" (25)	Back: None
<b>Shipping Carton</b>	H 15" (381)	W 23" (584)	D 18" (457)
<b>Weight</b>			
<b>Product Weight</b>	<b>Ship weight (approx.)</b>	<b>UPS Shippable</b>	
30 lbs. (13.6 kg.)	37 lbs. (16.8 kg.)	Yes	

## Features

	Touch Models (TS)	Dial Models (DS)
<b>Configuration</b>	Countertop	Countertop
<b>Stackable</b>	No	No
<b>Display</b>	LED	Lighted Dial
<b>Control System</b>	Touchpad	Dial
<b>Programmable Control</b>	Yes, 10 pads	No
<b>Braille</b>	Overlay available	No
<b>Settings Programmable</b>	20	-
<b>Max. Cooking Time</b>	30:00	6:00
<b>Microwave Distribution</b>	Rotating stirrer, bottom	Rotating stirrer, bottom
<b>Power Levels</b>	5	1
<b>Defrost</b>	Yes, 20% power	No
<b>Time Entry Option</b>	Yes	Yes
<b>Multiple Portion Setting</b>	Yes, X2	No
<b>Stage Cooking</b>	4 stages	1 stage
<b>Interior Light</b>	Yes, LED, 42lm	Yes, LED, 42lm
<b>Automatic Voltage Sensor</b>	No	No
<b>Air Filter</b>	No	No
<b>Signal</b>	End of cycle, adjustable	End of cycle
<b>Door Handle</b>	Grab & Go	Grab & Go
<b>Exterior Finish</b>	Stainless steel	Stainless steel
<b>Interior Finish</b>	Stainless steel	Stainless steel

## Optional Accessories

- Oven cavity shelf (SE10)
- Non-stick baskets (TB10/S, SB10/S, MB10/S)
- Stainless cart/equipment stands: (CA24, CA30)

Measurements are US Standard. Measurements in ( ) are in millimeters

\* IEC 60705 Tested

† Includes handle

## Electrical Configuration

Region	Model#/UPC	Control System	Power Consumption	Power Output (microwave)	Power Source	Plug Configuration	Cord Length	Frequency	Magnetron
North America single phase	<b>RMS10TSA</b> 728028470208	Touch	1500 W, 13A	1000 W*	120 V, 60 Hz, 15 A, single phase	NEMA 5-15	5 ft. (1.5m)	2450MHz	1
North America single phase	<b>RMS10DSA</b> 728028470239	Dial	1500 W, 13A	1000 W*	120 V, 60 Hz, 15 A, single phase	NEMA 5-15	5 ft. (1.5m)	2450MHz	1



225 49th Ave. Dr. SW, Cedar Rapids, IA 52404 U.S.A.  
800-233-2366 • 319-368-8120 • Fax: 319-368-8198  
www.acpsolutions.com

Part No. 20271101

Updated 06/07/2019

© 2019 ACP, Inc., Cedar Rapids, Iowa 52404

an Ali Group Company



The Spirit of Excellence

Specification #:

AIA File #: