

PATRIOT

Gas Range

Features

- 30,000BTU per top open burner (Natural Gas)
- 12"X12"cast iron grates with aeration bowl
- Standing Pilot light for individual burners
- 33,000 BTU static oven(s) (Natural Gas)
- Oven interior side guides & Bottom porcelain coated
- Oven thermostat adjusts from 200F-500F
- Stainless steel front, back riser, and lift off shelf
- Oven with 2-racks, 3 positions
- 5" casters, all swivel with front locking brakes
- Range is fully serviceable from the front
- Optional adjustable foot available
- 3/4" rear NPT gas inlet
- Field convertible to LPG - - L.P. orifices included

PT-R60-24RG-6B

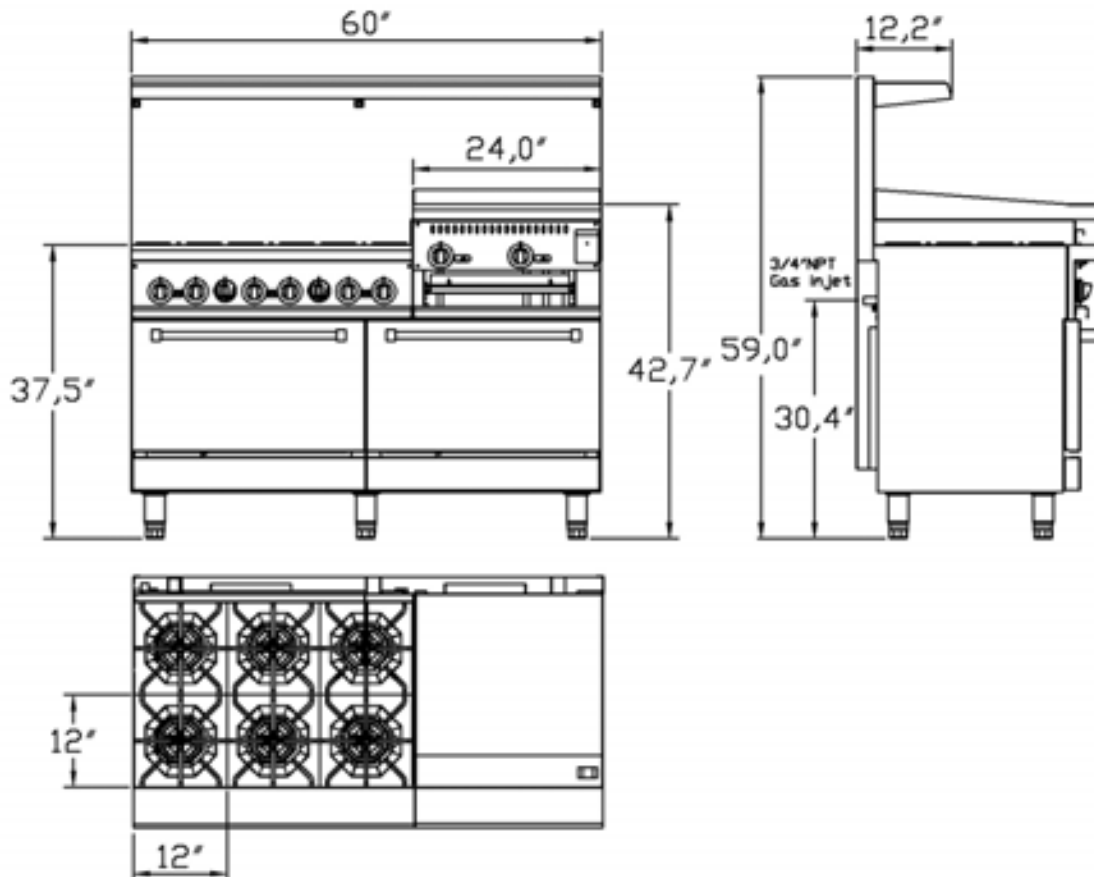


Approvals

- CSA Certifications
- CSA Sanitation, NSF/ANSI 4



Planview



Specifications

Model	View	Top Open Burners	Top Griddle	Top Charbroiler	Bottom Oven	Total kBTU (NG)	Total kBTU (LP)	Shipping Width (inch)	Shipping Depth (inch)	Shipping Height (inch)	Gross Weight (inch)
PT-R60-24RG-6B		6	24"		Double 30"	306	272	63	36-5/8	52	860

Warranty

Patriot warrants this product to be free of defects in materials and workmanship for a period of 1 year from the date of purchase.