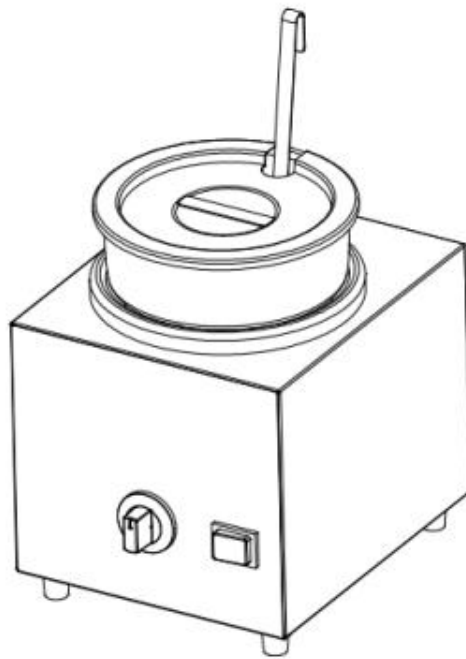



SENTINEL™

**COUNTERTOP FOOD
WARMER
USER MANUAL**



Model: FZ-04A/FZ-042A

Please read and keep these instructions.



These warmers are designed for commercial use only and are not intended for residential use. They should only be operated by trained individuals. Be sure to read the operation and safety manual before using.

CAUTION – LID AND LADLE SPOUT BECOMES HOT DURING OPERATION

To avoid possible serious injury, use protective heat resistant gloves when handling hot unit.

CAUTION – DO NOT OPERATE UNIT WITHOUT WATER

Check water level frequently when in operation. Apply more water as needed.

CAUTION – DO NOT SUBMERGE HEATING ELEMENT IN WATER

Operation

Warmers are intended to be used with the included 3.5 qt. stainless steel insert or a #10 can.

- 1.Fill bowl with 1 and 1/3 quarts of hot water
- 2.Turn on warmer
- 3.Insert product in either included 3.5 qt. stainless steel inset or #10 can
- 4.Cover
- 5.Allow contents to pre-heat to the desired temperature, set thermostat to desired holding temperature.

DO NOT OPERATE ON HIGH HEAT FOR MORE THAN 45 MINUTES

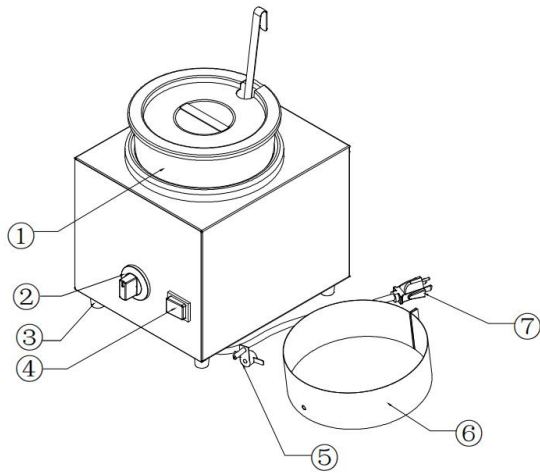
–Contents may overheat.

Specification

Model No.	Voltage	Herz	Power	Overall Dims.	Shipping Dims.	Capacity
FZ-04A	120V	60Hz	300W	9"x10.5"x11.6"	11.8"x19.5"x15.4"	#10 Can or 3.5
FZ-042A	120V	60Hz	500W	18.3"x9.5"x12"	21"x13.4"x15"	Quart Inset

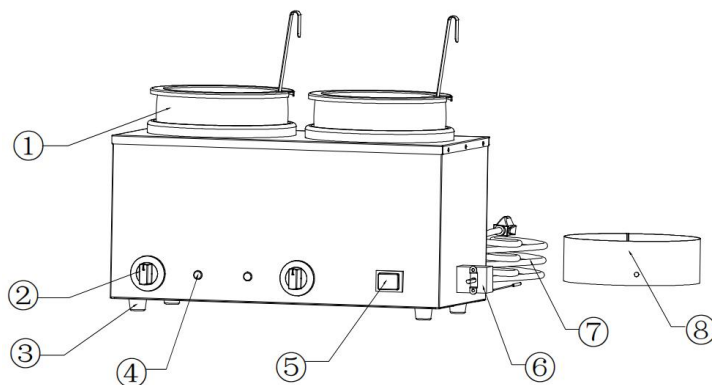
Identification of Key Parts

FZ-04A:



- ① Inset Pot, Lid, and Ladle(set) ② Temperature Knob ③ Foot ④ Switch
⑤ Thermostat ⑥ Heating Element ⑦ Power Cord

FZ-042A:



- ① Inset Pot, Lid, and Ladle(set) ② Temperature Knob ③ Foot
④ Working Light ⑤ Switch ⑥ Thermostat ⑦ Power Cord
⑧ Heating Element

Features

1. Perfect for serving soup, nacho cheese, hot fudge, chili, and other hot condiments or toppings.
2. Square base includes eye-catching decal cards that slide in and out for versatility.

Cleaning and Storage

Clean and dry the warmer after each use. Use a soft cloth and mild soap on the exterior. Do not use metal scouring pads, strong abrasives or detergents on the exterior. These products however can be used on the interior of the warmer when necessary

When storing, set control knob to "LOW" position.



One Year Limited Warranty

Sentinel warrants its equipment against defects in materials and workmanship, subject to the following conditions:

Sentinel is warranted for one year, effective from the date of purchase by the original owner. A copy of the original receipt or other proof of purchase is required to obtain warranty coverage. This warranty applies to the original owner only, and is not assignable.

Should any product fail to function in its intended manner under normal use within the limits defined in this warranty, at Sentinel's discretion, such product will be repaired, replaced with a refurbished unit, or replaced with a new unit by Sentinel, after defective unit has been inspected and defect has been confirmed. Sentinel does not assume any liability for extended delays in replacing any item beyond its control. This warranty does not apply to rubber and non-metallic synthetic parts that may need to be replaced due to normal usage, wear or lack of preventative maintenance.

This warranty covers products shipped into the 48 contiguous United States, Hawaii, and metropolitan areas of Alaska and Canada. Warranty coverage on products used outside the 48 contiguous United States, Hawaii and metropolitan areas of Alaska and Canada may vary.

The following conditions are not covered by warranty:

- Equipment failure relating to improper installation, improper utility connection or supply and problems due to improper ventilation.
- Equipment that has not properly been maintained, damage from improper cleaning, and water damage to controls.
- Equipment that has not been used in an appropriate manner, or has been subject to misuse, neglect, abuse, accident, alteration, negligence, damage during transit, delivery or installation, fire, flood, riot, or act of God.
- Equipment that has the model number or serial number removed or altered.
- Equipment on which the security seal has been broken.

If the equipment has been changed, altered, modified, or repaired without express written permission from Patriot, then the manufacturer shall not be liable for any damages to any person or to any property, which may result from the use of this equipment thereafter.

This equipment is intended for commercial use only and this warranty is void if equipment is used in other than a commercial application.

For warranty and service call 888-585-9440. Please have your model number, serial number and proof of purchase ready.

“THE FOREGOING WARRANTY IS IN LIEU OF ANY AND ALL WARRANTIES EXPRESSED OR IMPLIED INCLUDING ANY IMPLIED WARRANTY OF MERCHANTABILITY OR FITNESS FOR PARTICULAR PURPOSES AND CONSTITUTES THE ENTIRE LIABILITY OF ACE. IN NO EVENT DOES THE LIMITED WARRANTY EXTEND BEYOND THE TERMS STATED HEREIN.”