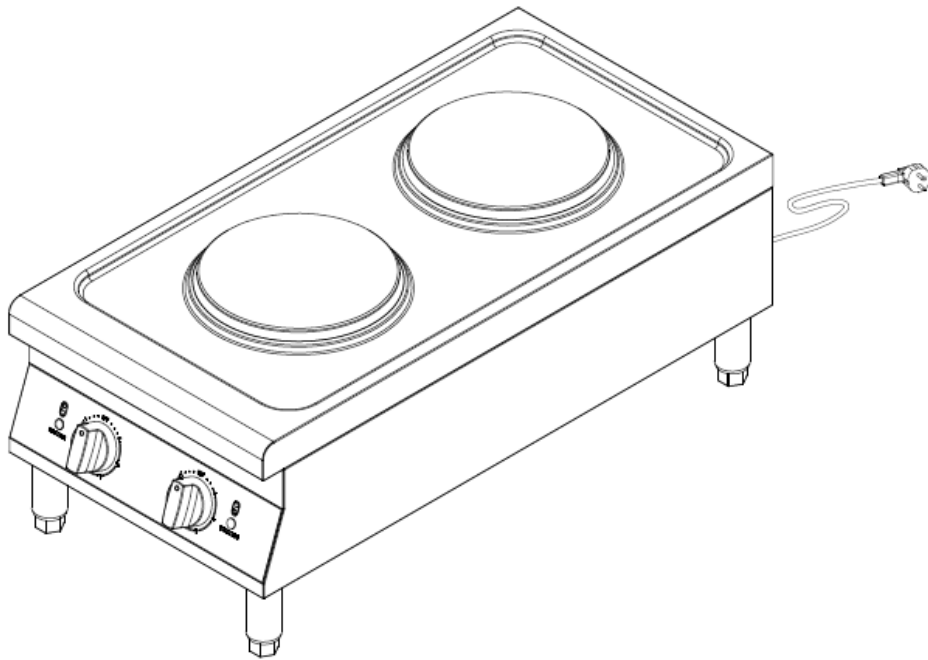




**Two Burners Electric Hot plate
Operation Manual**



Model No.: PA0201

Please read and keep these instructions

IMPORTANT SAFETY INFORMATION

When using electrical appliances, basic safety precautions should always be followed, including the following:

1. Read all instructions carefully and completely.
2. For commercial use only.
3. Do not touch hot surfaces.
4. Protect against electrical shock by keeping all cords, plugs, and other electrical components away from water or other liquids.
5. Unplug this unit when not in use and before cleaning.
6. Allow the unit to cool before putting on or taking off parts.
7. Do not operate this or any appliance with a damaged electrical cord or plug.
8. Do not operate this or any appliance after it has malfunctioned or been damaged in any way.
9. Do not use outdoors.
10. Do not place on or near a hot gas or electric burner.
11. Attach plug to appliance first, then plug electrical cord into the wall outlet.
12. Disconnect the unit by turning the temperature and timer control to "OFF", then removing the electrical plug from the wall outlet.
13. Do not use appliance for any application other than intended use.
14. Do not insert metal utensils or oversized foods into this unit as they may cause a fire and heighten the risk of electrical shock.
15. Do not store any item on top of this unit when in operation.
16. Do not allow this oven to touch or be covered by flammable material, such as curtains, draperies, walls, etc., when in operation.
17. Do not clean with metal scouring pads as pieces can break off and touch electrical components, heightening the risk of electrical shock
18. Never place materials such as paper, cardboard, plastic, etc. in this oven.
19. Do not cover interior of this unit with metal foil as it may cause the oven to overheat.
20. Avoid scratching the surface or nicking the edges of this unit's tempered, safety glass door. If the oven door has a scratch or nick, contact customer service before use.
21. Turn the appliance off by turning the temperature and timer control to the "OFF" position.
22. Note that the use of accessories not recommended by the manufacturer may result in injury.
23. Children should be supervised to ensure that they do not play with the oven.
24. This appliance is not intended for use by persons (including children) with reduced physical sensory or mental capabilities, or lack of experience and knowledge, unless they have been given supervision or instruction concerning use of the

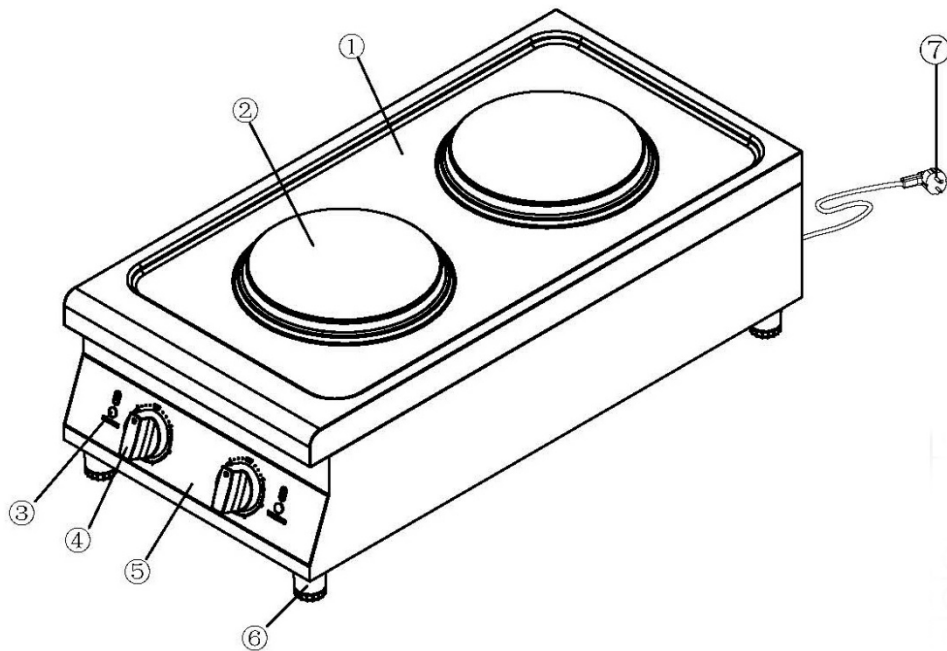
- appliance by a person responsible for their safety.
25. When using the appliance in shops, snack bars, hotels etc., check the voltage and outlet to make sure the appliance is correctly connected with power.
 26. Place unit on a flat surface that is well ventilated. The appliances must be supervised during operation, DO NOT leave appliance without powering off.

NOTE: Save these instructions for future reference.

SPECIFICATION



Model No. :	Volt/Watts	Product size	Element
PA0201	208-240V (4000W)	16"Lx31.5"Wx10.4"H	Double 8.6" Coils



IDENTIFICATION OF KEY PARTS





- | | | |
|--------------------|--------------------|----------------------|
| 1. Body | 2. Heating Element | 3. Heating Indicator |
| 4. Thermostat Knob | 5. Control Panel | 6. Leg |
| | | 7. Power Cord |

INSTALLATION

 **CAUTION:** This unit to be installed in a noncombustible location only. 



 **CAUTION:** These procedures must be performed by qualified personnel or warranty will be voided. 

 **WARNING:** Check the data plate on this unit before installation. Connect the unit only to the voltage and frequency listed on the data plate. Connect only to 1 or 3 phase as listed on the data plate. 

1. Unbox the hotplate. Make sure no parts are discarded with crating and packing material.
2. Always clean the equipment thoroughly before the first use. Checking rating label for your model designation and electrical rating, for best results, use stainless steel countertops.
3. Attach legs to unit.
4. Set the hot plate in the operating location.

ELECTRICAL CONNECTIONS

Check the date plate to determine what voltage this hot plate is wired for and what voltage service to

 **WARNING: IMPROPER GROUNDING COULD RESULT IN ELECTRICAL SHOCK.** This appliance is equipped with a three-prong (grounded) plug for your protection against shock hazard and should be plugged directly into a properly grounded three-prong receptacle. Do not cut or remove the grounding prong from this plug. 

OPERATING/SEASONING INSTRUCTIONS

Operation: Plug hot plate in and turn on the power switch. The unit has been calibrated at the factory. Wait about thirty minutes for the unit to heat up. If the product is too cool or too warm, adjust the infinite switch. The temperature adjustment is located in the control box of the unit. If you are unable to set your hot plate to the desired temperature, contact your factory authorized service agent for adjustment.

1. All food service equipment should be operated by trained personnel.



WARNING: This unit is not intended to hold potentially hazardous foods such as uncooked or un-preserved meats and sausages



GENERAL TROUBLESHOOTING

If the unit fails to operate check the following:

1. Is the unit connected to a live power source?
2. Check circuit breaker?
3. Is power switch on and pilot light glowing?
4. Check the data plate. Are you operating the unit on the proper voltage?

If the above checks out and you still have problems, call an authorized service agency.

NOTICE Service work should be performed only by a qualified technician who is experienced in and knowledgeable with the operation of commercial gas, electric, steam cooking equipment. Contact the Authorized Service Agency for reliable service, advice or other assistance and for genuine factory parts.

Warranty will be void and the manufacturer is relieved of all liability if:

- (A) Service work is performed by other than an Authorized Service Agency or
- (B) Other than Genuine replacement parts are installed.